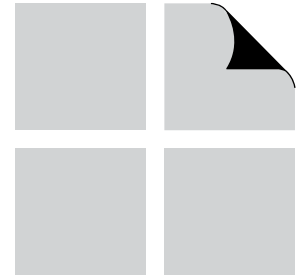


**150 MPH EXPOSURE C WIND ZONE  
SEISMIC DESIGN CATEGORY D<sub>2</sub>**



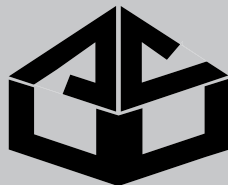
# **CARIBBEAN BASIN BUILDERS' GUIDE**

# **WFCM**

**WOOD | FRAME | CONSTRUCTION | MANUAL**

**GUIDE TO PANELIZED WOOD CONSTRUCTION  
IN HIGH WIND AND SEISMIC AREAS**

**TRADUCCIÓN DE ESPAÑOL INCLUIDO  
TRADUCTION FRANÇAISE INCLUSE**



**AMERICAN  
WOOD  
COUNCIL**

**American Wood Council**

**In Cooperation with the  
International Code Council®**



May 2013

### **Codes and Standards Addenda and Amendments Related to Design Value Changes**

The American Lumber Standard Committee (ALSC) Board of Review has approved changes to design values for all grades and all sizes of visually-graded Southern Pine and Mixed Southern Pine lumber, 2"- 4" thick, with a recommended effective date of June 1, 2013. For more information, visit [www.spib.org](http://www.spib.org) and [www.southernpine.com](http://www.southernpine.com).

AWC has developed [addenda and other updates](#) to use with new construction designed in accordance with many of its standards and design tools. However, this document has not been updated to account for changes to design values. Designers are urged to download the addendum to the [2001 WFCM](#), which contains revised tables based on the new design values, and use them accordingly with this document.

For additional information or questions, visit the AWC website at [www.awc.org](http://www.awc.org) or email your request to [info@awc.org](mailto:info@awc.org).

Thank you.

### **Updates and Errata**

While every precaution has been taken to ensure the accuracy of this document, errors may have occurred during development. Updates or Errata for the WFCM Guide are posted to the American Wood Council website at [www.awc.org](http://www.awc.org). Technical inquiries may be addressed to [info@awc.org](mailto:info@awc.org).

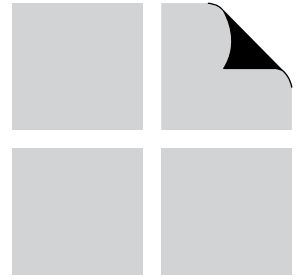
### **Las actualizaciones y erratas**

Si bien todas precauciones se ha tomado para garantizar la exactitud de este documento, los errores puede tener producido durante el desarrollo. Las actualizaciones y erratas se colocan on el American Wood Council sitio web en [www.awc.org](http://www.awc.org). Todas las consultas técnicas, puede dirigirse al [info@awc.org](mailto:info@awc.org).

### **Mises à jour et errata**

Bien que toutes les précautions ont été prises pour assurer l'exactitude de ce document, des erreurs peuvent avoir eu lieu au cours du développement. Mises à jour et errata sont mis sur le site de la American Wood Council à [www.awc.org](http://www.awc.org). Questions d'ordre technique peuvent être adressées à [info@awc.org](mailto:info@awc.org).

**150 MPH EXPOSURE C WIND ZONE  
SEISMIC DESIGN CATEGORY D<sub>2</sub>**



# **CARIBBEAN BASIN BUILDERS' GUIDE**

# **WFCM**

**WOOD FRAME CONSTRUCTION MANUAL**

**GUIDE TO PANELIZED WOOD CONSTRUCTION  
IN HIGH WIND AND SEISMIC AREAS**

**TRADUCCIÓN DE ESPAÑOL INCLUIDO  
TRADUCTION FRANÇAISE INCLUSE**

**Caribbean Basin Builders' Guide to Panelized Wood Construction in High Wind and Seismic Areas –  
150 mph Exposure C Wind Zone / Seismic Design Category D<sub>2</sub>**

First Web Version: December 2010

Second Web Version: July 2011

ISBN 978-0-9827380-1-6

Copyright © 2010 by American Wood Council

All rights reserved. No part of this publication may be reproduced, distributed, or transmitted in any form or by any means, including, without limitation, electronic, optical, or mechanical means (by way of example and not limitation, photocopying, or recording by or in an information storage retrieval system) without express written permission of the American Wood Council. For information on permission to copy material, please contact:

Copyright Permission  
American Wood Council  
info@awc.org

Printed in the United States of America

Portions of this publication reproduce excerpts from the *Standard for Residential Construction in High Wind Regions (ICC 600-2008)*, International Code Council, Inc., Washington, D.C. Reproduced with permission. All rights reserved." www.iccsafe.org

# Table of Contents

|                                                    |    |
|----------------------------------------------------|----|
| <b>INTRODUCTION</b> .....                          | 1  |
| <b>1 GENERAL PROVISIONS</b> .....                  | 2  |
| <b>1.1 SCOPE</b> .....                             | 2  |
| Design Concepts.....                               | 2  |
| <b>1.2 APPLICABILITY</b> .....                     | 4  |
| Building Height.....                               | 4  |
| Building Dimension.....                            | 4  |
| Building Shape.....                                | 4  |
| <b>1.3 FRAMING CONNECTIONS</b> .....               | 5  |
| <b>2 FOUNDATION AND FOUNDATION ANCHORAGE</b> ..... | 6  |
| <b>2.1 GENERAL</b> .....                           | 6  |
| <b>2.2 ANCHORAGE AT CORNERS</b> .....              | 6  |
| <b>2.3 ANCHORAGE AT OPENINGS</b> .....             | 6  |
| <b>3 Wood Floors</b> .....                         | 7  |
| <b>3.1 GENERAL</b> .....                           | 7  |
| <b>3.2 WOOD FLOOR REQUIREMENTS</b> .....           | 7  |
| <b>3.3 WOOD FLOOR CONSTRUCTION</b> .....           | 7  |
| <b>4 WALLS</b> .....                               | 8  |
| <b>4.1 GENERAL</b> .....                           | 8  |
| <b>4.2 EXTERIOR WALL REQUIREMENTS</b> .....        | 8  |
| <b>4.3 SIDE WALL CONSTRUCTION</b> .....            | 8  |
| <b>4.4 END WALL CONSTRUCTION</b> .....             | 9  |
| <b>4.5 WALL OPENINGS</b> .....                     | 10 |
| <b>4.6 STUD NOTCHING AND BORING</b> .....          | 10 |
| <b>5 ROOFS</b> .....                               | 13 |
| <b>5.1 GENERAL</b> .....                           | 13 |
| <b>5.2 ROOF REQUIREMENTS</b> .....                 | 13 |
| <b>5.3 ROOF CONSTRUCTION</b> .....                 | 13 |
| <b>A Slab-on-Grade Foundations</b> .....           | 16 |
| <b>A.1 GENERAL</b> .....                           | 16 |
| <b>A.2 FOUNDATION REQUIREMENTS</b> .....           | 16 |
| <b>A.3 ANCHOR BOLTS</b> .....                      | 16 |
| <b>A.4 ANCHORAGE AT CORNERS</b> .....              | 16 |
| <b>A.5 ANCHORAGE AT OPENINGS</b> .....             | 16 |
| <b>GLOSSARY OF TERMS</b> .....                     | 17 |

**TABLES**

|                 |                                                                |   |
|-----------------|----------------------------------------------------------------|---|
| <b>Table 1.</b> | Permitted Building Sizes. ....                                 | 4 |
| <b>Table 2.</b> | General Nailing Schedule. ....                                 | 5 |
| <b>Table 3.</b> | Foundation Anchorage Loads (plf) and Anchor Bolt Spacings..... | 6 |
| <b>Table 4.</b> | Floor Joist Sizes. ....                                        | 7 |

**FIGURES**

|                   |                                                                    |    |
|-------------------|--------------------------------------------------------------------|----|
| <b>Figure 1.</b>  | Master Building Frame (For Illustrative Purposes Only). ....       | 3  |
| <b>Figure 2.</b>  | Building Dimensions. ....                                          | 4  |
| <b>Figure 3.</b>  | Anchor Bolts and Foundation Requirements. ....                     | 6  |
| <b>Figure 4.</b>  | Solid Sawn Floor Joist and Rafter Notching and Boring Limits. .... | 7  |
| <b>Figure 5.</b>  | Side Wall Modules. ....                                            | 9  |
| <b>Figure 6.</b>  | Stud Notching and Boring Limits. ....                              | 10 |
| <b>Figure 7.</b>  | End Wall Modules with Openings for Windows and Doors. ....         | 11 |
| <b>Figure 8.</b>  | Side Wall Top Plate. ....                                          | 12 |
| <b>Figure 9.</b>  | Side Wall Header. ....                                             | 12 |
| <b>Figure 10.</b> | End Wall Overhang. ....                                            | 12 |
| <b>Figure 11.</b> | Roof System. ....                                                  | 14 |
| <b>Figure 12.</b> | Roof Bracing at End Wall. ....                                     | 15 |
| <b>Figure A1.</b> | Anchor Bolts and Foundation Requirements. ....                     | 16 |

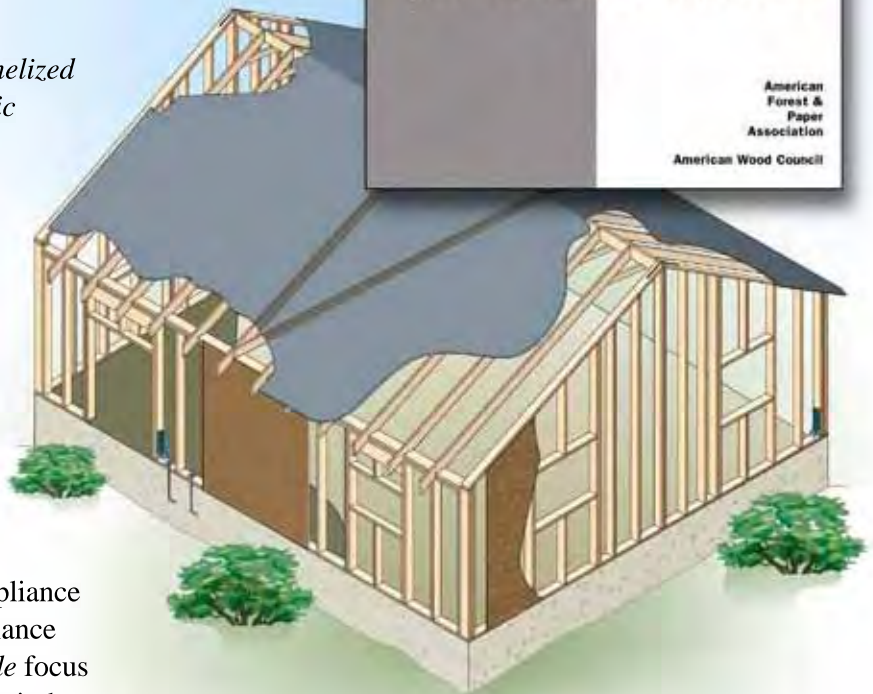
# Introduction

This *Guide* was developed in the aftermath of the 2010 earthquake in Haiti. It was recognized that properly designed and built lightweight wood construction could offer countries located in seismically-active and high wind regions a very effective approach to resist both earthquake and high wind loads. The urgent need for shelter and appropriate design requirements in the region necessitate the use of smaller simple wood frame buildings. Once constructed, these buildings can provide permanent shelter. And, in order to facilitate simple and rapid construction every effort has been made to modularize construction.

The *Caribbean Basin Builders' Guide to Panelized Wood Construction in High Wind and Seismic Areas (Guide)* is provided to simplify construction and design of wood frame buildings in areas where design wind velocity requirements do not exceed 150 miles per hour, mph (241 kilometers per hour, km/h) exposure category C and design seismic requirements do not exceed seismic design category D<sub>2</sub>. This *Guide* is also in compliance with the U.S. *International Building Code*-referenced AF&PA *WFCM-2001 Wood Frame Construction Manual (WFCM) for One- and Two-Family Dwellings*. Accordingly, any designs in compliance with this *Guide* should also be in full compliance with the *WFCM*. The provisions of this *Guide* focus on ensuring structural integrity for resisting wind and seismic loads (not simultaneously). Additionally this *Guide* provides basic design provisions to resist floor and roof live loads. This *Guide* does not specifically address other loading conditions. These additional loading conditions must be considered as required by the building code and are addressed in the *WFCM*.

Foundation designs and detailing provided in this guide are in compliance with International Code Council (ICC 600-2008) *Standard for Residential Construction in High-Wind Regions*.

The information in this *Guide* has been provided with due care and offers information to architects, builders, designers, code officials, instructors, and others interested in simplified design. This *Guide* is not intended to instruct on all aspects or techniques of proper framing or design. In developing the provisions of this *Guide* using provisions of the *WFCM*, the most reliable data available from laboratory tests and experience with structures in service, have been carefully evaluated for the purpose of providing a consistent standard of practice. It is intended that this document be used in accordance with competent engineering design, accurate fabrication, and adequate supervision of construction. Therefore, AF&PA does not assume any responsibility for errors or omissions in this *Guide*, the *WFCM*, nor the engineering designs or plans prepared from it.





# 1 General Provisions

## 1.1 SCOPE

This *Guide* establishes a specific set of prescriptive, wind- and seismic-resistive structural requirements for wood-frame residential buildings of sizes and shapes specified in the “Applicability” section (1.2) of this chapter. The provisions of this *Guide* are directed toward ensuring structural integrity for resisting wind, seismic, and roof live loads. In addition, provisions of this *Guide* are based on the provisions found in the *ANSI/AF&PA 2001 Wood Frame Construction Manual for One- and Two-Family Dwellings (WFCM)*.

Wind load requirements of this *Guide* are based on a 150 mph (241 km/h) 3-second-gust wind speed for buildings sited in Exposure C locations.

Seismic load requirements are based on seismic design category D<sub>2</sub>. Both wind and seismic load requirements are based on provisions of *ASCE 7 Minimum Design Loads for Buildings and Other Structures*. Vertical load requirements are based on an 18 psf (0.9 kN/m<sup>2</sup>) wall dead load, 15 psf (0.7 kN/m<sup>2</sup>) roof dead load, and 20 psf (1.0 kN/m<sup>2</sup>) roof live load.

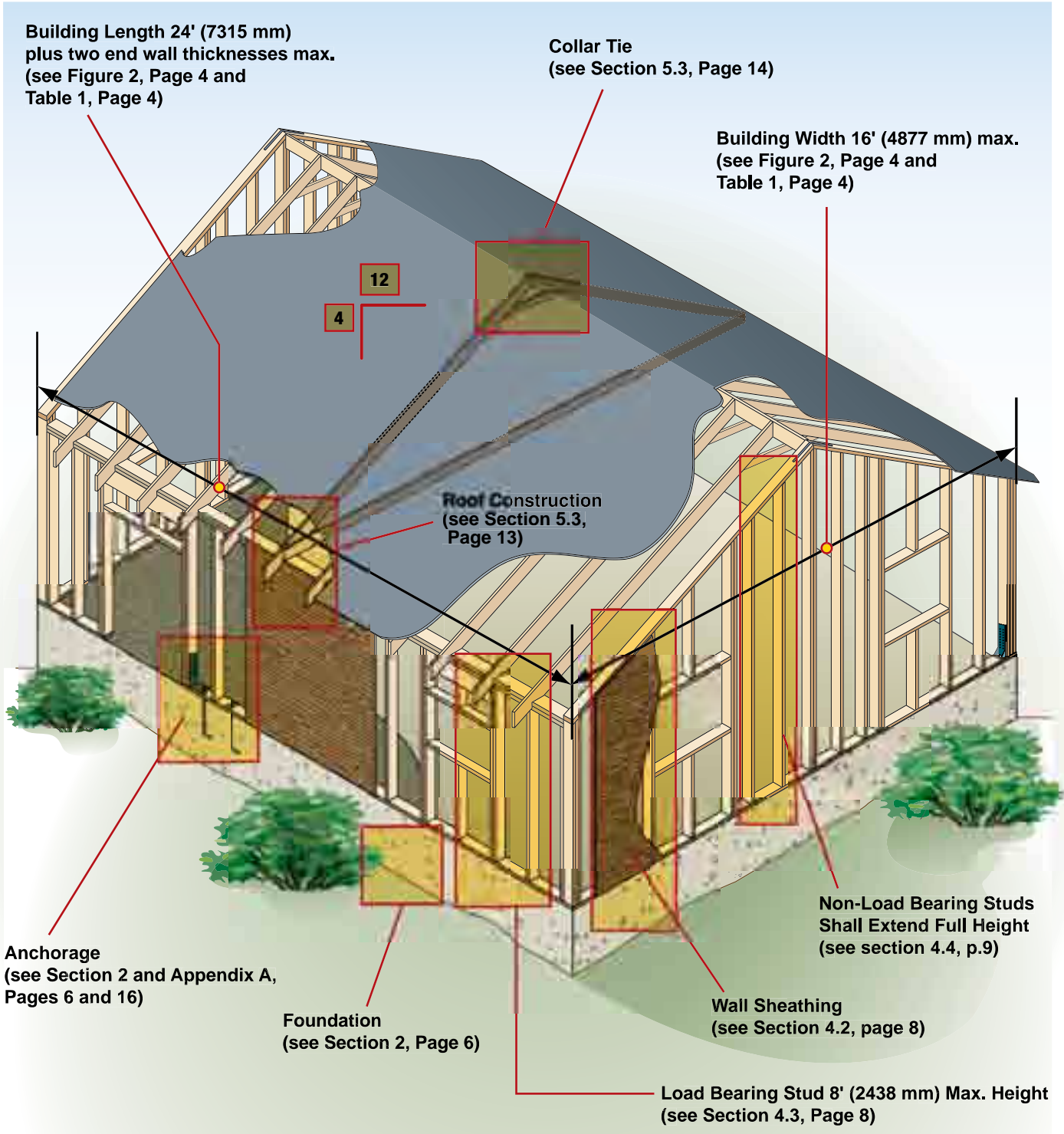
The provisions of this *Guide* are not intended to preclude the use of other methods or materials of construction. Structural elements not complying with the conditions contained in this *Guide* shall be designed, or when alternative methods are used, design loads and capacities shall be determined, in accordance with the *WFCM* or the governing building code.

### Design Concepts

This *Guide* relies on the following concepts:

- Roofs are designed as diaphragms, which receive lateral loads from the roof and exterior walls (assuming wind or seismic from any direction) and transfer these loads to shear walls.
- Exterior walls are designed to resist and transfer lateral forces to the foundation. Exterior walls, foundations, and connections are designed to resist lateral and uplift loads received from the roof by means of a continuous load path.
- Except for openings, exterior walls are designed as entirely sheathed with wood structural panels, including areas above and below openings. Bearing walls are limited to 8' (2438 mm) in height.
- Door openings shall not exceed 6'-8" (2032 mm) in height.
- Window openings shall not exceed 2'-8" (813 mm) in height.
- Tabulated wind requirements in this *Guide* are based on fully enclosed buildings where openings are designed for the appropriate wind loads. **During high-wind events, protection of openings shall be provided to maintain a fully enclosed building envelope.**
- Foundation provisions specified in this *Guide* are designed for specific building sizes. The foundation, including uplift and hold down anchorage, shall be constructed in accordance with these provisions as well as any additional requirements of the governing building code.





**NOTE**

**Continuous Load Path.** The interconnection of all framing elements is critical to a seismic and wind-resistive building. A continuous load path of interconnected framing elements from foundations to walls and roof shall be provided.

Figure 1. Master Building Frame.  
(For Illustrative Purposes Only)

- Wood framing and sheathing used in these buildings is assumed to be protected against termites using an approved chemical termiticide treatment. The chemical termiticide treatment shall include soil treatment and/or field applied wood treatment. The concentration, rate of application, and method of treatment shall be in strict accordance with the termiticide label.
- Wood framing in contact with concrete or masonry foundations shall be naturally durable or preservative-treated wood.
- Where required due to the corrosivity of a specific type of preservative-treatment, fasteners and connectors in contact with the preservative-treated wood shall be of hot-dipped galvanized steel, stainless steel, silicon bronze, or copper. Coating types and weights for connectors in contact with the preservative-treated wood shall be in accordance with the connector manufacturer's recommendations.

## 1.2 APPLICABILITY

### Building Height

- The building shall not exceed one story above a foundation. Mean roof height, measured from average grade to average roof elevation, shall not exceed 25'.
- Bearing walls are limited to 8' (2438 mm) in height.
- Roofs shall have a 4 in 12 roof slope.

### Building Dimension

- This *Guide* is limited to specific combinations of building dimensions as shown in Table 1.
- The maximum building length (L) in the direction parallel to the ridge shall not be greater than 24' (7315 mm) plus the thickness of two 2x6 end walls.
- The maximum building width (W) in the direction perpendicular to the ridge shall not be greater than 16' (4877 mm), and shall not exceed the building length. See Figure 2.

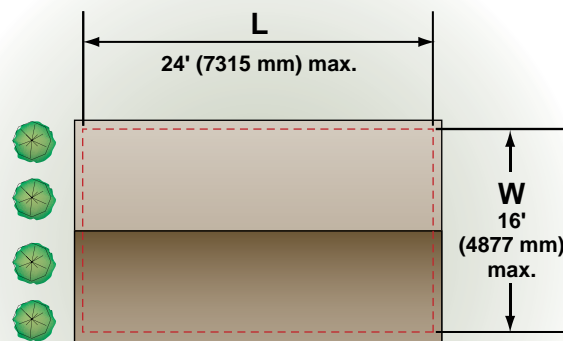


Figure 2. Building Dimensions (with roof overhangs shown).

### Building Shape

- **Rectangular Buildings.** Design provisions in this *Guide* assume that buildings are rectangular in shape.
- **Non-rectangular Buildings.** Non-rectangular buildings are beyond the scope of this *Guide*. For conditions where non-rectangular buildings must be designed, the *WFCM* should be used.

Table 1. Permitted Building Sizes.

| Building Width (W), ft (mm)                      | 8 (2438)  | 12 (3658)  | 12 (3658)  | 16 (4877)  | 16 (4877)  | 16 (4877)  |
|--------------------------------------------------|-----------|------------|------------|------------|------------|------------|
| Building Length (L), ft (mm)                     | 12 (3658) | 12 (3658)  | 16 (4877)  | 16 (4877)  | 20 (6096)  | 24 (7315)  |
| Building Area, ft <sup>2</sup> (m <sup>2</sup> ) | 96 (8.9)  | 144 (13.4) | 192 (17.8) | 256 (23.8) | 320 (29.7) | 384 (35.7) |

Note: The actual building lengths will be the dimensions shown in Table 1 plus the thickness of two 2x6 end walls.

### 1.3 FRAMING CONNECTIONS

General framing connections shall be in accordance with the requirements of Table 2. Specific connections required for seismic- and wind-resistant construction are provided with the assembly descriptions in other sections of this *Guide*.

Table 2. General Nailing Schedule.

| Joint Description                                                     | Number of Common Nails | Number of Box Nails | Nail Spacing                            |
|-----------------------------------------------------------------------|------------------------|---------------------|-----------------------------------------|
| <b>Roof Framing and Sheathing</b>                                     |                        |                     |                                         |
| Blocking to rafter (toe-nailed)                                       | 2- 8d                  | 2-10d               | each end                                |
| Rim board to rafter (end-nailed)                                      | 2-16d                  | 3-16d               | each rafter                             |
| Rafter to top plate (toe-nailed)                                      | 3-16d                  | 4-16d               | each rafter                             |
| Blocking to top plate (toe-nailed)                                    | 2-16d                  | 3-16d               | each block                              |
| Rafter to ceiling joist at side walls                                 | 5-16d                  | 7-16d               | each end                                |
| Sheathing to rafters spaced 16" (406 mm) o.c.                         | 8d                     | 10d                 | 4" (102 mm) edge/<br>4" (102 mm) field  |
| Sheathing to top plate of gable end wall                              | 8d                     | 10d                 | 3" (76 mm) edge/<br>3" (76 mm) field    |
| Sheathing to blocking at side wall                                    | 8d                     | 10d                 | 3" (76 mm) edge/<br>3" (76 mm) field    |
| <b>Floor Framing and Sheathing</b>                                    |                        |                     |                                         |
| Joist to Sill, Top Plate or Girder (Toe-nailed)                       | 4-8d                   | 4-10d               | per joist                               |
| Blocking to Joist (Toe-nailed)                                        | 2-8d                   | 2-10d               | per end                                 |
| Blocking to Sill or Top Plate (Toe-nailed)                            | 3-16d                  | 4-16d               | each block                              |
| Band Joist to Joist (End-nailed)                                      | 3-16d                  | 3-16d               | per joist                               |
| Band Joist to Sill or Top Plate (Toe-nailed)                          | 2-16d                  | 3-16d               | per foot (305 mm)                       |
| Sheathing to joists                                                   | 8d                     | 10d                 | 6" (152 mm) edge/<br>12" (305 mm) field |
| <b>Wall Framing and Sheathing</b>                                     |                        |                     |                                         |
| Plate to each stud (end-nailed)                                       | 3-16d                  | NA                  | each stud                               |
| Stud to 2x plate above and below wall openings (end-nailed)           | 3-16d                  | 4-16d               | Joints - each side                      |
| Upper top plate to lower top plate                                    | 2-16d                  | 3-16d               | 6" (152 mm) o.c.                        |
| Stud to stud at multiple studs and between wall modules (face-nailed) | 2-16d                  | 3-16d               | 12" (305 mm) o.c. along edges           |
| Wall sheathing to each stud and top plate (field and edge)            | 8d                     | 10d                 | 6" (152 mm) o.c.                        |
| Wall sheathing to end wall top and bottom plates                      | 8d                     | 10d                 | 2 rows @ 4" (102 mm) o.c.<br>staggered  |
| Wall sheathing to side wall bottom plates                             | 8d                     | 10d                 | 2 rows @ 4" (102 mm) o.c.<br>staggered  |

**Nails.** Unless otherwise stated, sizes given for nails are common wire sizes. Pneumatic nails of equivalent diameter and equal or greater length to the specified common or box nails may be substituted unless otherwise prohibited. Common nail diameters: 8d = 0.131"; 16d = 0.162". Box nail diameters: 10d = 0.128"; 16d = 0.135".

## 2 Foundation and Foundation Anchorage

### 2.1 GENERAL

The house shall be anchored to the foundation system to resist the loads in Table 3 and the hold down requirement in Sections 2.2 and 2.3. See Figure 3 and Appendix A for foundation system.

Table 3. Foundation Anchorage Loads (plf).

| Uplift | Lateral | Shear |
|--------|---------|-------|
| 420    | 370     | 230   |

### 2.2 ANCHORAGE AT CORNERS

A hold down connector with a capacity of 1,685 pounds (7.5 kN) is required at each corner of the building.

### 2.3 ANCHORAGE AT OPENINGS

A hold down connector with a capacity of 1,000 pounds (4.5 kN) is required at each side of a door opening. Hold downs are shown at each side of the door in Figure 5b.

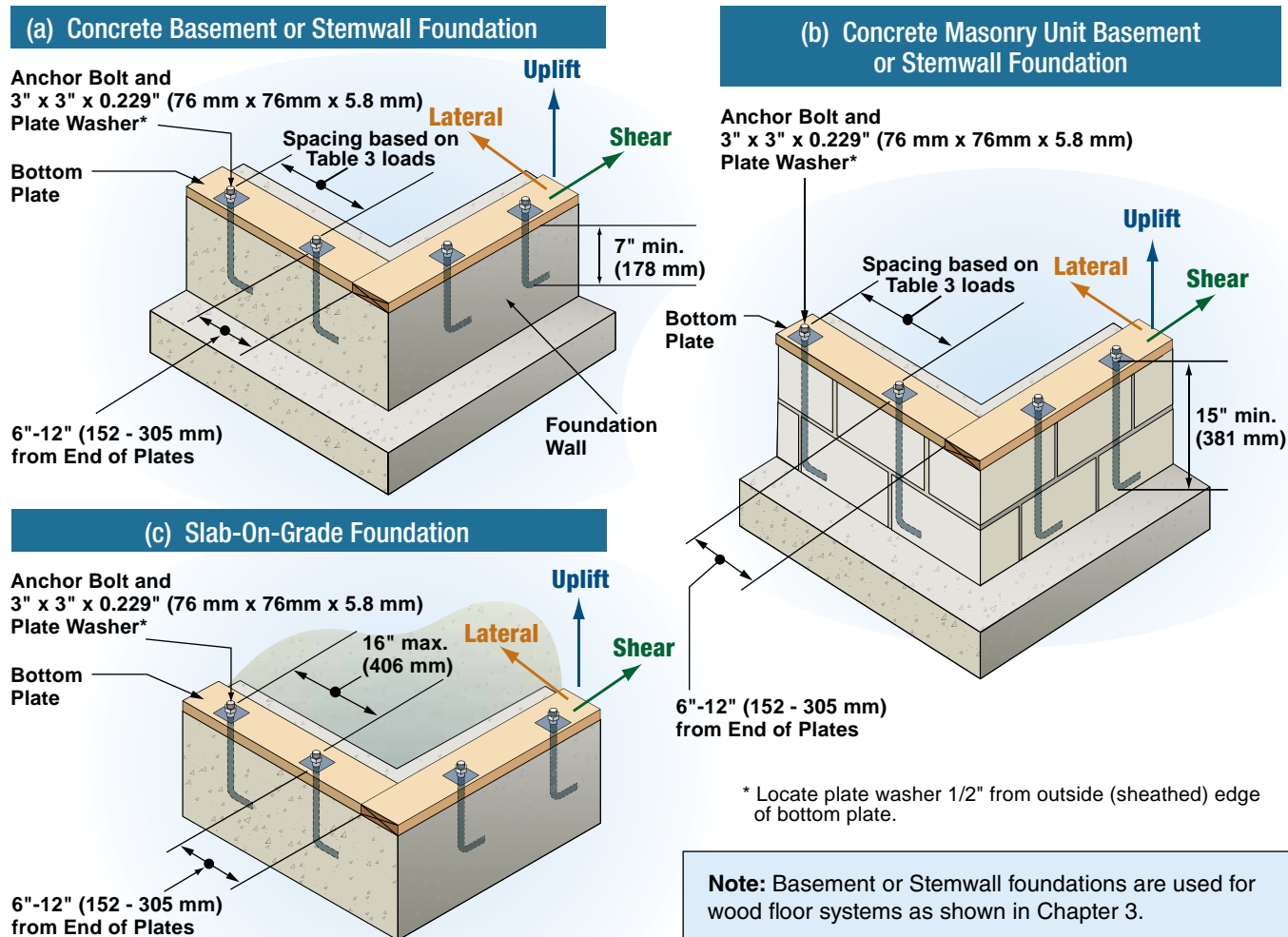


Figure 3. Anchor Bolts and Foundation Requirements.

## 3 Wood Floors

### 3.1 GENERAL

Details are provided for floor framing to resist specified vertical and lateral loads. Floor framing has not been modularized due to weight and handling considerations. The weight of a typical wood floor system has been considered in the seismic analysis.

### 3.2 WOOD FLOOR REQUIREMENTS

- **Framing Lumber.** All floor joists shall be a minimum of No. 2 grade (including Douglas Fir-Larch, Hem Fir, Southern Pine, and Spruce-Pine-Fir) in accordance with Table 4.

Table 4. Floor Joist Sizes.

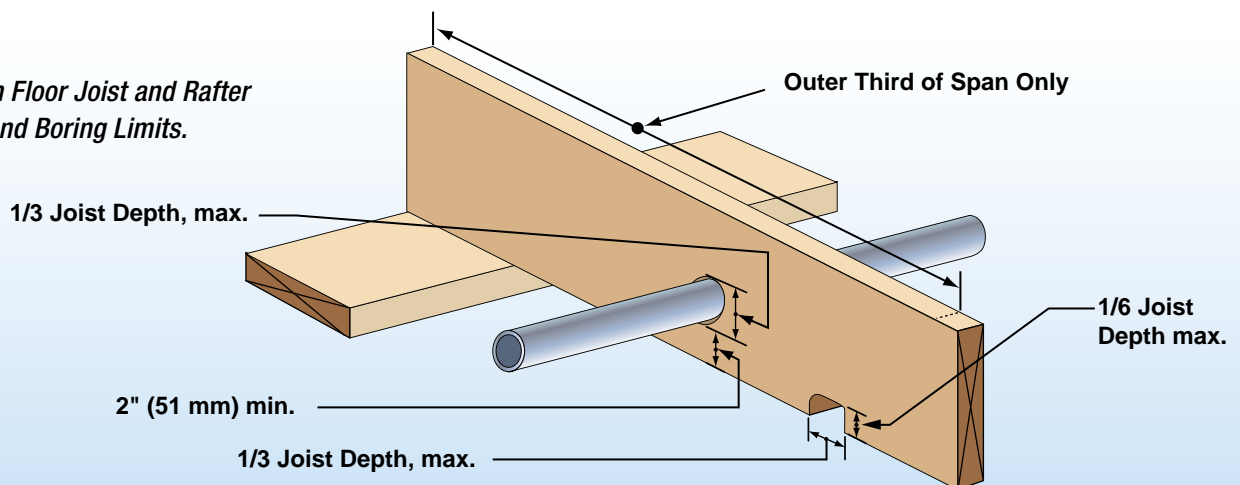
| Floor Span |     |     |      |
|------------|-----|-----|------|
| 6'         | 8'  | 12' | 16'  |
| 2x6        | 2x6 | 2x8 | 2x12 |

- **Floor Sheathing.** Floors shall be fully sheathed with a minimum of 19/32" (15 mm) wood structural panel sheathing and attached per Table 2. Sheathing shall be installed with the face grain perpendicular to joists.
- **Nailing.** Typical nailing is shown in Table 2.

### 3.3 WOOD FLOOR CONSTRUCTION

- **Floor Joist Direction.** Floor joists shall be installed parallel to rafters and ceiling joists.
- **Floor Bracing at End Wall.** Blocking and connections shall be provided at panel edges and perpendicular to floor framing members in the first two joist spaces and shall be spaced a maximum of 4' (1219 mm) on-center (see Figure 12 detail A for concept). Nailing requirements are given in Table 2.
- **Floor Joist Notching and Boring.** Notches in the top or bottom edge of floor joists shall not be cut in the middle one-third of the span. Notches in the outer thirds of the span shall not exceed one-sixth of the actual member depth. Where notches are made at supports, they shall not exceed one-fourth the actual member depth. Bored holes are limited in diameter to one-third the actual member depth and the edge of the hole shall not be closer than 2" (51 mm) to the top or bottom edges (see Figure 4).

Figure 4.  
Solid Sawn Floor Joist and Rafter  
Notching and Boring Limits.



## 4 Walls

### 4.1 GENERAL

Detailing is provided for exterior wall modules to resist specified loads. Interior finishes have not been relied upon for structural load carrying capability; however, the weight of a typical interior finish, such as ½" (13 mm) gypsum wallboard, has been considered in the seismic analysis. Similarly, the weight of a typical exterior finish, such as stucco, has also been considered in the seismic analysis.

Interior walls have not been considered, but can be added as needed by the end user. Interior wall materials, framing methods, and connections shall be as specified by the end user.

### 4.2 EXTERIOR WALL REQUIREMENTS

- **Wall Heights.** Side (load bearing) walls shall not exceed 8' (2438 mm) in height (see Figure 4). End (non-load bearing) walls shall be framed with full height studs.
- **Wood Studs.** Wall studs shall be a minimum of 2x6 (38 mm x 140 mm) Stud grade lumber (including Douglas Fir-Larch, Hem Fir, Southern Pine, and Spruce-Pine-Fir).
- **Wall Stud Spacing.** Side (load bearing) wall studs shall be spaced at 16" (406 mm) on center or less. End (non-load bearing) wall studs shall be spaced at 16" (406 mm) on center or less, except studs over 10' (3048 mm) in length shall be spaced at 12" (305 mm) on center or less. See Figures 5 and 7 for specific detailing.
- **Stud Continuity.** Studs shall be continuous between horizontal supports (e.g. slab-on-grade and roof diaphragm assemblies). Studs in gable end walls shall be continuous from the floor to the roof diaphragm.
- **Exterior Wall Sheathing.** Exterior walls shall be fully sheathed with a minimum of 19/32" (15 mm) wood structural panel sheathing and attached per Table 2. Exterior sheathing shall be continuous from the bottom plate to the upper top plate, with all panel edges over framing.
- **Nailing.** Typical nailing is shown in Table 2. Specific nailing is provided in figures.
- **Exterior Wall Cladding.** Exterior wall cladding shall be rated for a 150 mph (241 km/h) 3-second gust Exposure C wind speed and be installed per the manufacturer's instructions.

### 4.3 SIDE WALL CONSTRUCTION

Side walls are constructed of 8' (2438 mm) long door and window modules. Additionally, fully-sheathed 4' (1219 mm) long filler modules are available to provide flexibility. See Figure 5 for permitted configurations. Eight foot (2438 mm) and 4' (1219 mm) side wall modules are combined to obtain building lengths permitted in Table 1. Note that only one door module is permitted per side wall. Window openings are permitted to be added to 4' (1219 mm) filler modules as noted in Figure 5c.

- **Side Wall Top Plate Construction.** Double top plates shall be provided at the top of all exterior side walls. The first (lower) plate, is initially installed during construction of modules, and attached to all wall studs with end-nails as specified in Table 2. The second (upper) plate is subsequently field installed and joints in the second top plate shall occur directly over a stud and provide a minimum 48" (1219 mm) lap splice with joints in the lower plate (see Figure 8). Plate to plate face nailing is specified in Table 2. Field nail wall sheathing to upper top plate per Table 2.
- **Anchorage at Door Openings.** Hold downs shall be installed per section 2.3.

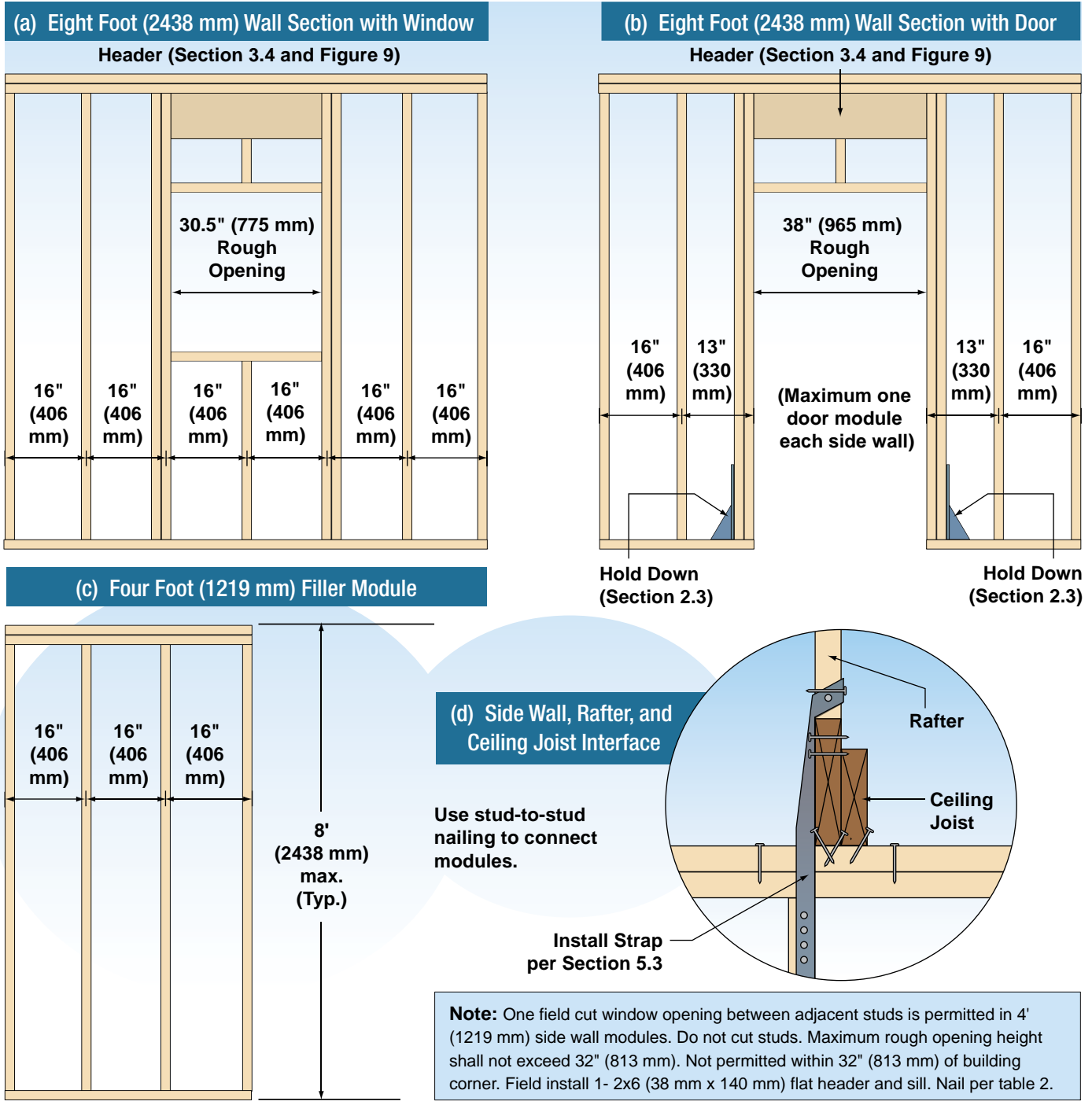


Figure 5. Side Wall Modules.

### 4.4 END WALL CONSTRUCTION

End walls are constructed of 4' (1219 mm) and 8' (2438 mm) modules and are combined to obtain building widths permitted in Table 1. See Figure 7 for permitted end wall modules.

- **End wall straps at the ridge.** Where end wall modules intersect at the ridge, a steel strap with a tensile capacity of 400 pounds (1.8 kN) shall be installed across the intersection and applied over the roof sheathing and directly to the top plate in each module. The strap shall be centered across the intersection of the two modules.



- **Hold downs.** A hold down shall be installed per Section 2.2 at each end of each end wall. Each hold down is used to resist the uplift forces due to overturning for the end walls and the side walls. The corner framing in the intersecting walls shall be fastened together to transfer these uplift loads (see Detail A in Figure 7).

#### 4.5 WALL OPENINGS

Permitted wall opening size and location is detailed in end and side wall modules (see Figures 5 and 7). All framing material around wall openings (including headers, plates, and full height studs) shall meet the same requirements as specified for typical wall studs.

- **Full Height Studs.** Double full height studs shall be provided on each side of each opening (Figures 5a, 5c, 7a, and 7b). Plate to stud nailing is specified in Table 2. Attach wall sheathing to all full height studs per Table 2.
- **Headers.** Side wall headers shall be fabricated using three 2x6 (38 mm x 140 mm) members (with 1/2" x 5.5" (12 mm x 140 mm) solid spacers) as shown in Figure 9 and installed directly below the wall top plate. Side wall headers are attached to full height studs with 3-16d end nails into each end of each 2x6 (38 mm x 140 mm) in the header. End walls only use a single horizontal 2x6 (38 mm x 140 mm) plate as noted below.
- **Plates Directly Above or Below Openings.** Install a single horizontal 2x6 (38 mm x 140 mm) flatwise as required. Attach full height stud(s) to plate(s) with 3-16d end nails at each end of the plate. Attach wall sheathing to all plates per Table 2. Attach studs above and below openings to the plates with 2-16d end nails or toe-nails at each end of the stud.

#### 4.6 STUD NOTCHING AND BORING

Notches in either edge of studs shall not be located in the middle one-third of the stud length. Notches in the outer thirds of the stud length shall not exceed 25% of the actual stud depth. Bored holes shall not exceed 40% of the actual stud depth for a single stud or 60% of the actual stud depth when studs are doubled. Bored holes shall not be closer than 5/8" (16 mm) to the edge of the stud. Notches and holes shall not occur in the same cross-section (see Figure 6).

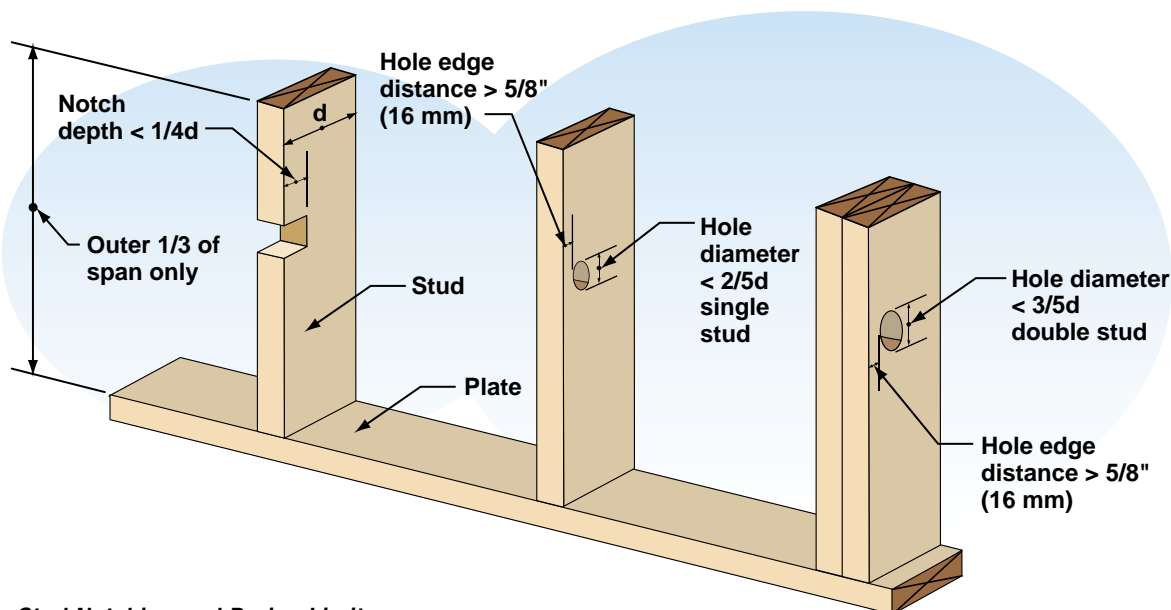


Figure 6. Stud Notching and Boring Limits.

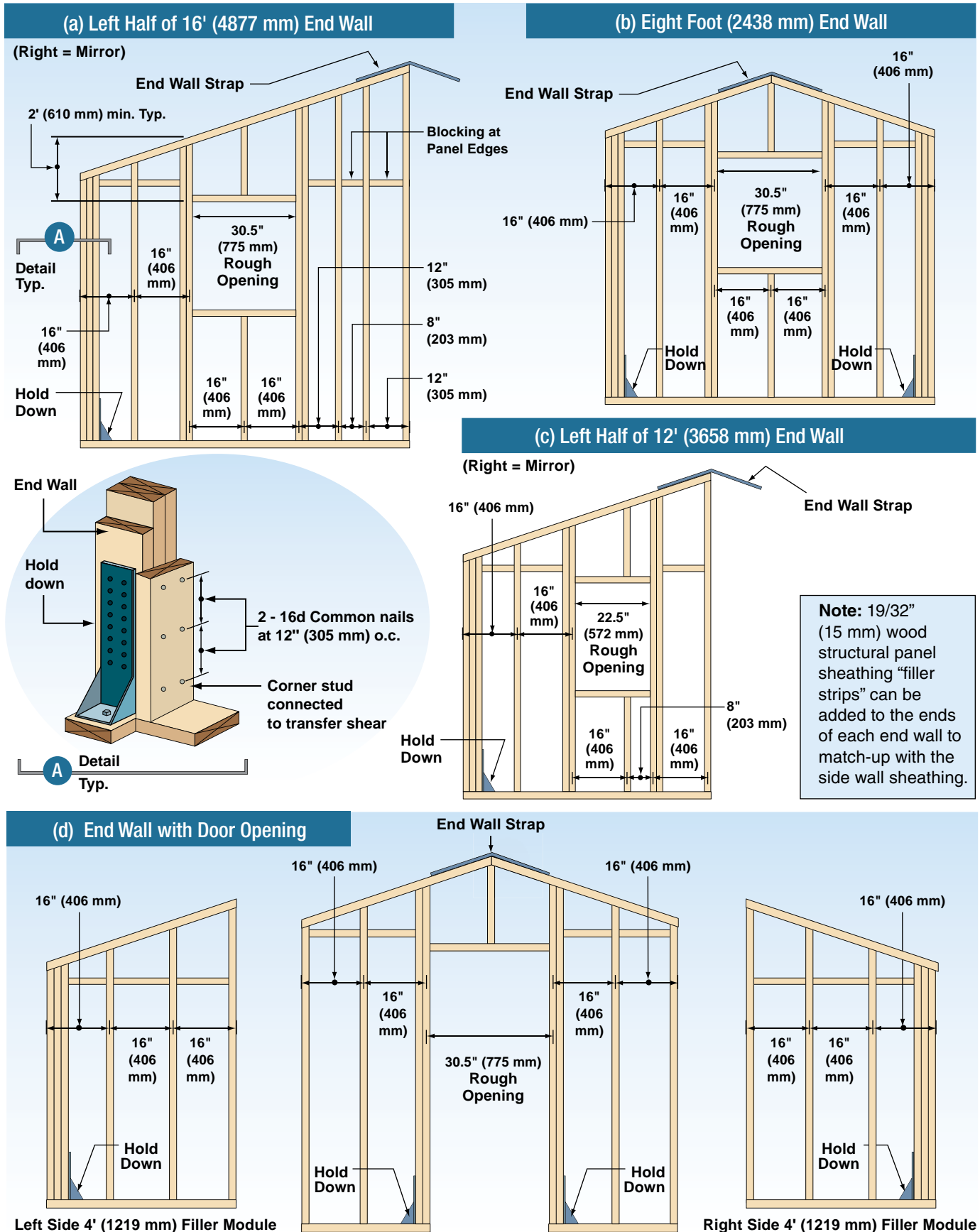


Figure 7. End Wall Modules with Openings for Windows and Doors.

150 MPH EXPOSURE C WIND ZONE  
SEISMIC DESIGN CATEGORY D<sub>2</sub>

4  
WALLS

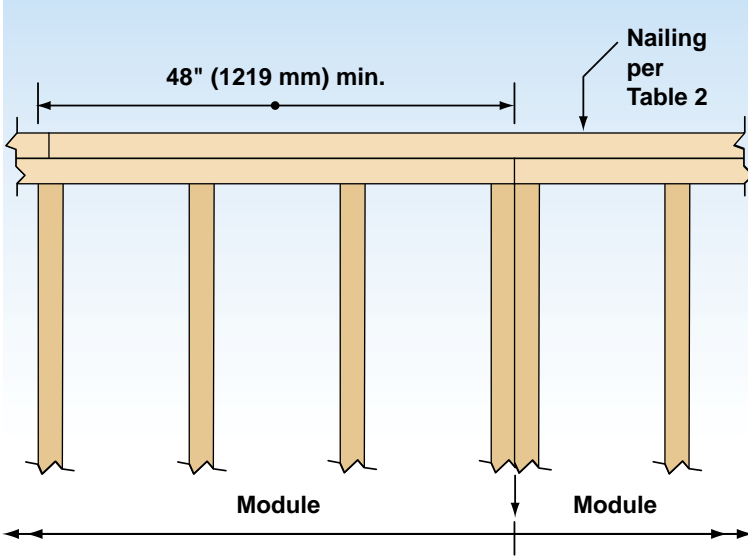


Figure 8. Side Wall Top Plate.

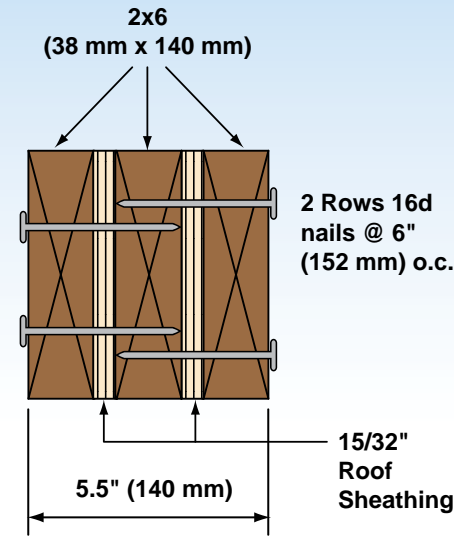


Figure 9. Side Wall Header.

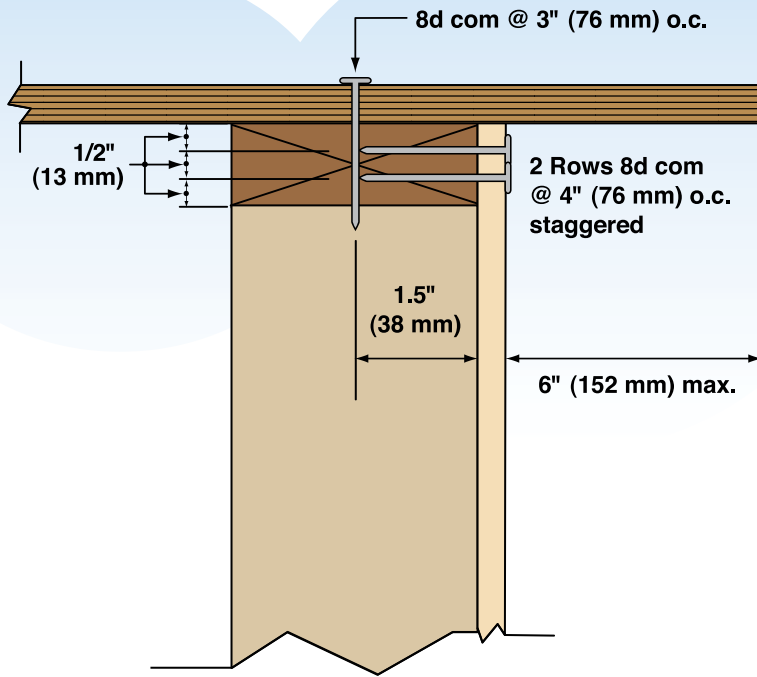


Figure 10. End Wall Overhang.

# 5 Roofs

## 5.1 GENERAL

Details are provided for roof framing to resist specified vertical and lateral loads. Roof framing has not been modularized due to weight and handling considerations. Interior finishes have not been relied upon for structural load carrying capability. The weight of a typical interior finish, such as a 1/2" (13 mm) gypsum wallboard ceiling, has been considered in the seismic analysis. Similarly, the weight of typical asphalt shingle roofing, has also been considered in the seismic analysis.

Interior walls are not relied upon for structural support of the roof. Non-bearing interior walls can be added as needed by the end user. Interior wall materials, framing methods, and connections shall be as specified by the end user.

## 5.2 ROOF REQUIREMENTS

- **Roof Slope.** Roofs shall have 4 in 12 roof slopes.
- **Framing Lumber.** All framing material shall be a minimum of 2x6 (38 mm x 140 mm) Stud grade (including Douglas Fir-Larch, Hem Fir, Southern Pine, and Spruce-Pine-Fir) **with the exception that 16' (4877 mm) wide buildings require 2x6 (38 mm x 140 mm) No. 2 grade rafters and ceiling joists.**
- **Rafter Overhangs.** Rafter overhangs shall not exceed 1' (305 mm).
- **End Wall Overhangs.** End wall overhangs shall not exceed 6" (152 mm).
- **Rafter and Ceiling Joist Spacing.** All rafters and ceiling joists shall be spaced at 16" (406 mm) on center and shall be aligned directly over side wall studs.
- **Ceiling Joist Continuity.** Ceiling joists are required and shall be continuous between side walls. Interior splices are not permitted.
- **Roof Sheathing.** Roofs shall be fully sheathed with a minimum of 15/32" (12 mm) wood structural panel sheathing and attached per Table 2. Sheathing shall be installed with face grain perpendicular to rafters.
- **Nailing.** Typical nailing is shown in Table 2. Specific nailing is provided in figures.

## 5.3 ROOF CONSTRUCTION

- **Ridge Board.** A minimum of 2x6 (38 mm x 140 mm) shall be installed at the ridge as a ridge board. Rafters shall be placed directly opposite each other. Ceiling joists shall be used to provide a continuous tie between exterior side walls. Ceiling joist connections to rafters shall be per Table 2. Opposing rafters shall be connected with collar ties as noted below.
- **Rafter Strap to Stud.** A steel strap with a tensile capacity of 640 pounds (2.8 kN) shall be provided at each rafter. Straps shall be installed over the wall sheathing and connect the rafter to the stud below using specified nails (see Figure 5d).
- **Roof Openings.** Roof openings which fit between roof rafters are permitted. The maximum length of openings parallel to rafters is 24" (610 mm). Block each end of the opening with 2x6 (38 mm x 140 mm) framing and attach roof sheathing per Table 2.
- **Rafter/Ceiling Heel Joint Connection.** Attach each rafter to adjacent ceiling joists as specified in Table 2.

- **Collar Ties or Straps at Ridge:** Install 2x6 (38 mm x 140 mm) collar ties between opposing rafters. Collar ties shall be directly below the ridge board (upper third of attic space) and attached with 5 – 16d common nails to each rafter (see Figure 11). Alternatively, a steel strap with a tensile capacity of 820 pounds (3.6 kN) shall be installed over the roof sheathing and directly to each rafter. Center the strap on the ridge.
- **Roof Bracing at End Wall.** Install 2x6 (38 mm x 140 mm) blocking at roof sheathing edges perpendicular to roof rafters in the first three rafter spaces. Blocking shall be spaced at 4' (1219 mm) on center maximum. Nailing requirements are given in Table 2 (see Figure 12).
- **Open (Cathedral) Ceilings.** Open ceilings are beyond the scope of this *Guide* and, if present, shall be designed per the *WFCM*.
- **Rafter and Ceiling Joist Notching and Boring.** Notches in the top or bottom edge of solid-sawn rafters or ceiling joists shall not be cut in the middle one-third of the span. Notches in the outer thirds of the span shall not exceed one-sixth of the actual member depth. Where notches are made at supports, they shall not exceed one-fourth the actual member depth. Bored holes are limited in diameter to one-third the actual member depth and the edge of the hole shall not be closer than 2" (51 mm) to the top or bottom edges (see Figure 4).

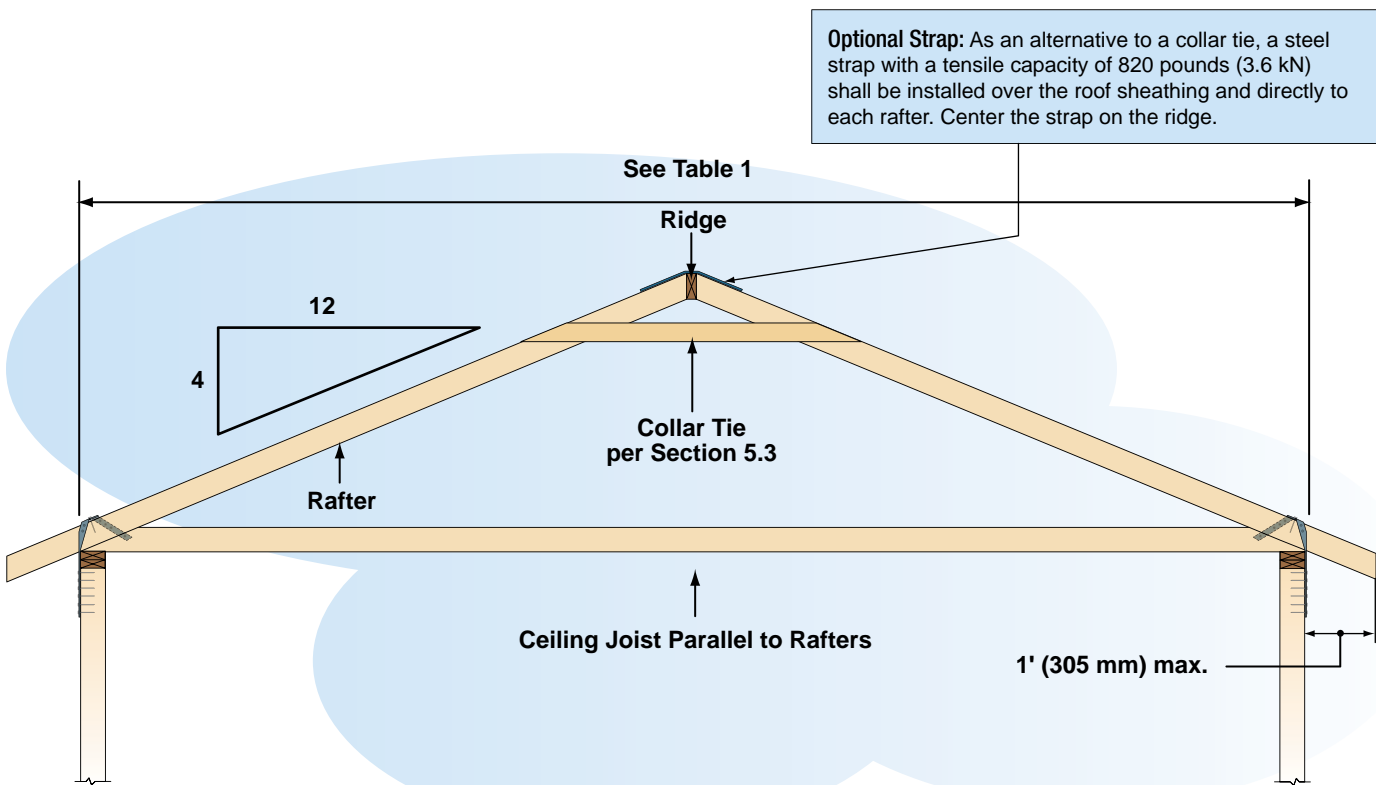
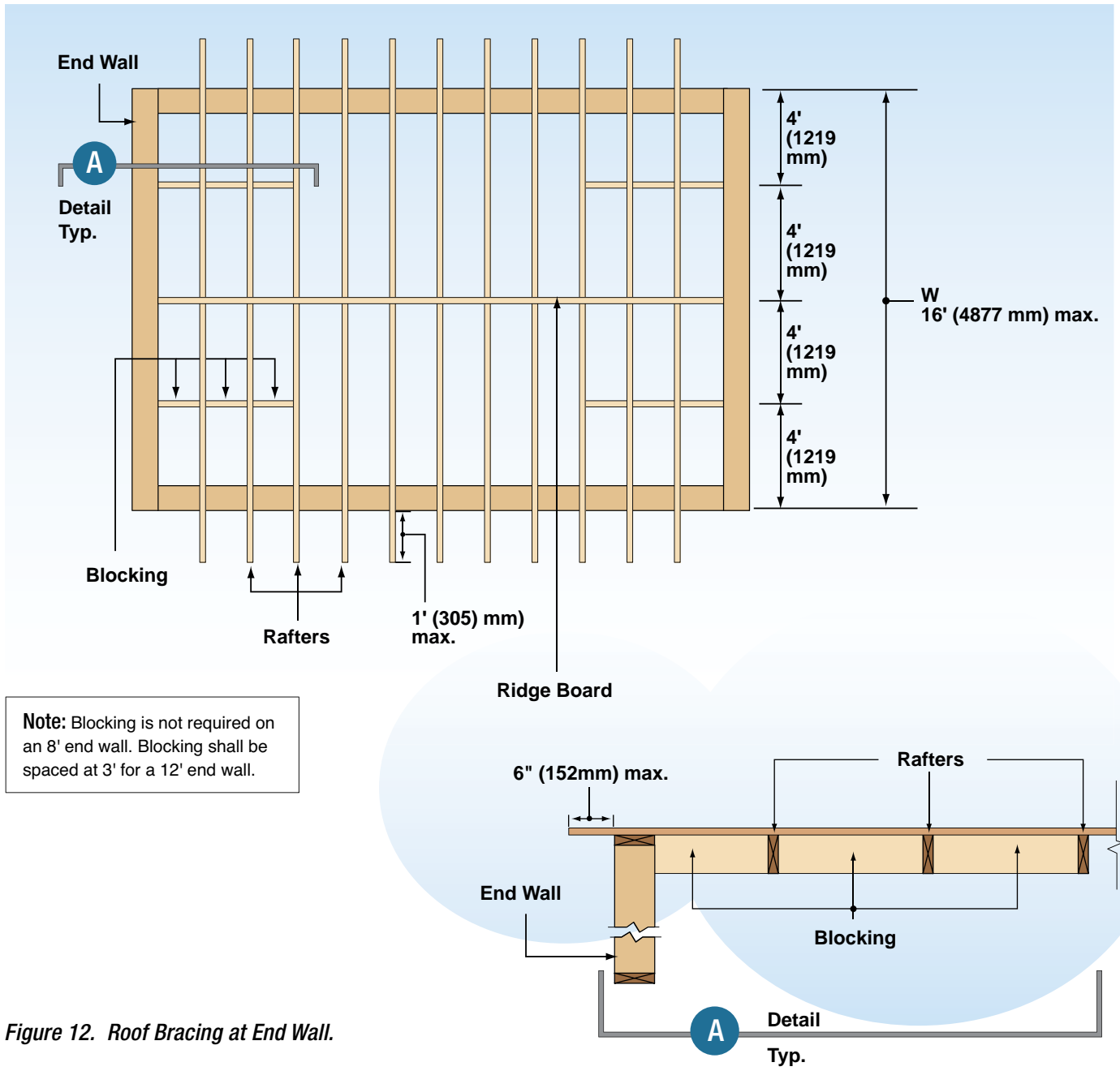


Figure 11. Roof System.



**Note:** Blocking is not required on an 8' end wall. Blocking shall be spaced at 3' for a 12' end wall.

Figure 12. Roof Bracing at End Wall.

# A Slab-on-Grade Foundations

## A.1 GENERAL

Continuous foundations shall be provided at all exterior walls. Concrete footings and slabs shall be poured as a monolithic unit. The maximum size of coarse aggregate shall not exceed 3/4" (19 mm). The minimum specified compressive strength of concrete,  $f'_c$ , shall be 2,500 psi (17.2 MPa) at 28 days.

## A.2 FOUNDATION REQUIREMENTS

- **Concrete footings.** The minimum footing dimensions shall be  $T=20"$  (508 mm) and  $W=12"$  (305 mm) as denoted in Figure A1. The minimum reinforcing requirements for exterior footings for uplift resistance shall be two No. 5 bars. The outer bar of foundation reinforcing shall be continuous around corners using corner bars or by bending the bar. Minimum bar lap shall be 25" (635 mm).
- **Concrete slabs.** Concrete floors shall be cast in place slab-on-grade. The top of a monolithic slab-on-grade shall be at least 8" (203 mm) above finished grade. The slab shall be not less than 3-1/2" (89 mm) thick. The slab shall have 6x6 W1.4/W1.4 (152x152 MW9.1/9.1) welded wire fabric at mid-height.

## A.3 ANCHOR BOLTS

Wall bottom plates shall be anchored to the foundation with 5/8" (16 mm) anchor bolts spaced 16" (406 mm) on center or less and using 3" x 3" x 0.229" (76 mm x 76 mm x 5.8 mm) steel plate washers (see Figure A1). The steel plate washer shall extend to within 1/2" (13 mm) of the sheathed side edge of the bottom plate.

## A.4 ANCHORAGE AT CORNERS

A hold down connector with a capacity of 1,500 pounds (6.7 kN) is required at each corner of the building.

## A.5 ANCHORAGE AT OPENINGS

A hold down connector with a capacity of 1,000 pounds (4.5 kN) is required at each side of a door opening (Figure 5b).

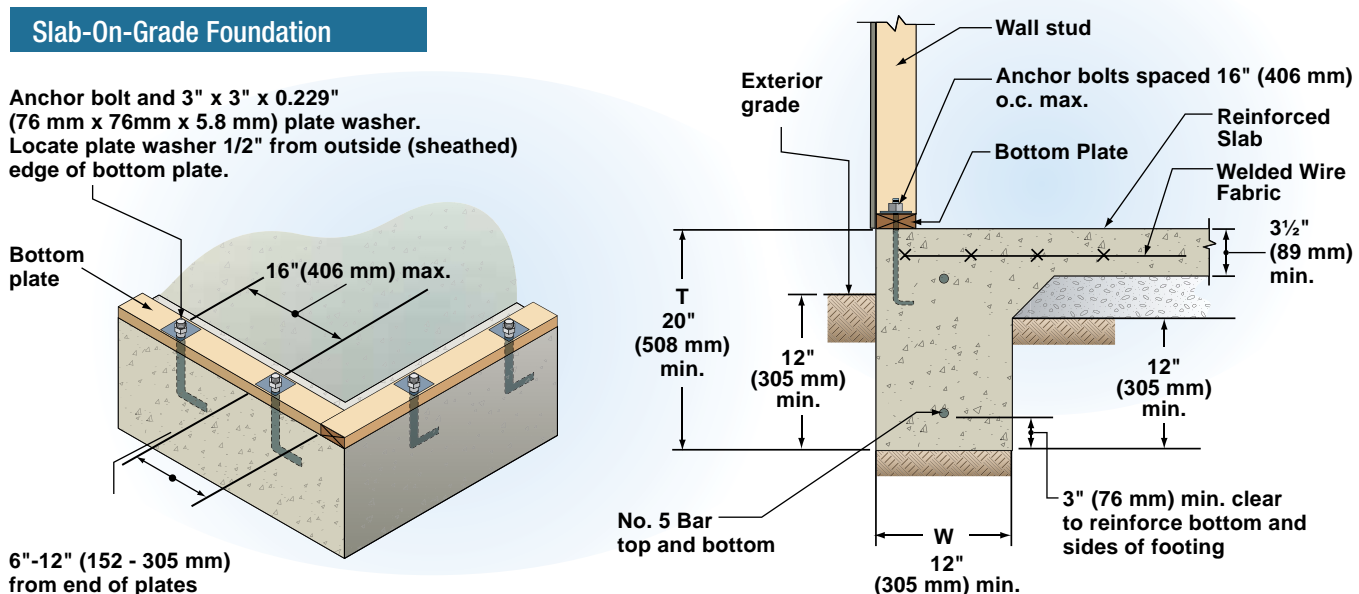


Figure A1. Anchor Bolts and Foundation Requirements.

# Glossary of Terms

The following definitions describe some of the terminology used in this *Guide*.

**Aspect Ratio.** The ratio of building length dimension (L) to the building width dimension (W).

**Blocking.** Wood member which provides edge support for sheathing.

**Bottom Plate.** A horizontal wood member attached to the bottom of a frame wall and connected to the concrete slab.

**Ceiling Joist.** A horizontal structural framing member which supports ceiling and/or attic loads.

**Cladding.** Exterior structural elements that receive loads normal to their surface.

**Collar Tie.** A structural framing member located in the upper third of the attic space that ties rafters together to resist roof suction loads at the ridge (See also Ridge Strap).

**Continuous Load Path.** The interconnection of all framing elements of the lateral and vertical force resisting systems, which transfers lateral and vertical forces to the foundation.

**End Wall.** The exterior wall of a building perpendicular to the roof ridge and parallel to roof rafters or trusses.

**End Wall Overhang.** The horizontal projection of the roof measured from the outside face of the gable end wall to the outside edge of the roof sheathing.

**Gable.** The triangular portion of the end wall beneath a dual-slope, pitched roof.

**Floor Joist.** A horizontal structural framing member which supports floor loads.

**Header.** A beam used over wall openings to carry loads across the opening.

**Hold Down.** A connector device used to provide overturning restraint by resisting uplift of the chords (studs) of shear walls (wall modules).

**Loadbearing Wall.** A wall that supports vertical load in addition to its own weight.

**Pitched Roof.** A roof with one or more sloping surfaces.

**Plates Directly Above or Below Openings.** A horizontal framing member above or below an opening. Plates below a window opening are also called window sill plates.

**Rafter.** A horizontal or sloped structural framing member that supports roof loads.

**Rafter Overhang (Eave).** The horizontal projection of a rafter measured from the outside face of the wall to the outside edge of the rafter.

**Ridge.** The horizontal line formed by the joining of the top edges of two sloping roof surfaces.

**Ridge Board.** A non-structural member used at the ridge of a roof to provide a common nailing surface and point of bearing for opposing roof rafters.

**Ridge Strap.** A metal connector that fastens opposing rafters together to resist roof suction loads at the ridge (see also Collar Tie).

**Roof Span.** The distance between the outside of exterior walls supporting the roof/ceiling assembly.



**Sheathing.** The structural covering used directly over framing members, such as studs or rafters, which transfers perpendicular loads to the framing material.

**Slab-On-Grade.** The concrete slab that serves as the floor for the first story, upon which the first story framed walls are attached.

**Story.** The portion of a structure included between the upper surface of a floor and the upper surface of the roof next above.

**Stud.** Vertical structural element of wall assemblies which transfers vertical and/or lateral loads.

**Top Plate(s).** A horizontal wood member(s) attached to the top of a frame wall and supporting trusses, I-joists, rafters, ceiling joists, or other members.

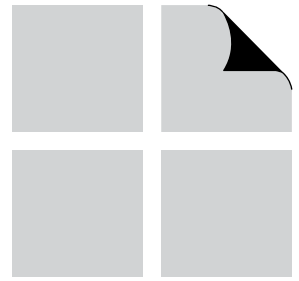
### Wind Exposure

**Exposure B.** Urban and suburban areas, wooded areas, or other terrain with numerous closely spaced obstructions having the size of single family dwellings or larger.

**Exposure C.** Open terrain with scattered obstructions including surface undulations or other irregularities having heights generally less than 30 feet (9.1 m) and extending more than 1500 feet (457 m) from the building site in any full quadrant. Exposure C extends into adjacent Exposure B type terrain in the downwind direction for a distance of 1500 feet (457 m) or 10 times the height of the building or structure, whichever is greater. This category includes open country and grasslands, and open water exposure of less than 1 mile (1.6 km). Exposure C shall be assumed unless the site meets the definition of another type of exposure.

**Window Sill Plate.** A horizontal framing member below an opening (See Figures 4 and 6).

**ZONA DE VIENTOS DE 150 MPH  
(241 km/h) DE CATEGORÍA DE  
EXPOSICIÓN C / CATEGORÍA DE  
DISEÑO SÍSMICO D<sub>2</sub>**



**GUÍA PARA LOS CONSTRUCTORES  
DE LA CUENCA DEL CARIBE**

**WFCM**

**MANUAL DE CONSTRUCCIÓN DE  
ESTRUCTURAS DE MADERA**

**GUÍA PARA LA CONSTRUCCIÓN CON MADERA  
EN FORMA DE PANELES EN ÁREAS SÍSMICAS  
Y DE VIENTOS FUERTES**

**Guía para los constructores de la Cuenca del Caribe para la construcción con madera en forma de paneles en áreas sísmicas y de vientos fuertes – zona de vientos de 150 mph (241 km/h) de categoría de exposición C / categoría de diseño sísmico D<sub>2</sub>**

Primera versión impresa: Julio de 2011

ISBN 978-0-9827380-1-6

Copyright © 2011 por el American Wood Council

Todos los derechos reservados. Se prohíbe la reproducción, distribución y transmisión total o parcial de esta publicación de cualquier forma y por cualquier medio, incluidos, entre otros, medios electrónicos, ópticos o mecánicos (como por ejemplo y sin exclusión, por medio de fotocopia, o grabación por medio de o en un sistema de recuperación de información) sin el permiso escrito y expreso del American Wood Council. Para obtener información sobre permisos para la reproducción de este material, comuníquese con:

Copyright Permission  
American Wood Council  
info@awc.org

Impreso en los Estados Unidos de América

Partes de esta publicación reproducen extractos del *Standard for Residential Construction in High Wind Regions (ICC 600-2008)*, International Code Council, Inc., Washington D.C. Estados Unidos de América. Reproducido bajo permiso. Todos derechos reservados. [www.iccsafe.org](http://www.iccsafe.org)

# Índice

|                                                       |    |
|-------------------------------------------------------|----|
| <b>Introducción</b> .....                             | 1  |
| <b>1 Estipulaciones generales</b> .....               | 2  |
| <b>1.1 ALCANCE</b> .....                              | 2  |
| Conceptos de diseño.....                              | 2  |
| <b>1.2 APLICABILIDAD</b> .....                        | 4  |
| Altura de la construcción .....                       | 4  |
| Dimensiones de construcción.....                      | 4  |
| Forma de la construcción .....                        | 4  |
| <b>1.3 CONEXIONES DE ENTRAMADO</b> .....              | 5  |
| <b>2 Cimentación y anclaje de cimentación</b> .....   | 6  |
| <b>2.1 GENERAL</b> .....                              | 6  |
| <b>2.2 ANCLAJE EN LAS ESQUINAS</b> .....              | 6  |
| <b>2.3 ANCLAJE EN LAS ABERTURAS</b> .....             | 6  |
| <b>3 Pisos de madera</b> .....                        | 7  |
| <b>3.1 GENERAL</b> .....                              | 7  |
| <b>3.2 REQUISITOS PARA PISOS DE MADERA</b> .....      | 7  |
| <b>3.3 CONSTRUCCIÓN DE PISOS DE MADERA</b> .....      | 7  |
| <b>4 Muros</b> .....                                  | 8  |
| <b>4.1 GENERAL</b> .....                              | 8  |
| <b>4.2 REQUISITOS PARA MUROS EXTERIORES</b> .....     | 8  |
| <b>4.3 CONSTRUCCIÓN DE LOS MUROS LATERALES</b> .....  | 8  |
| <b>4.4 MURO CABECERO</b> .....                        | 9  |
| <b>4.5 ABERTURAS EN LOS MUROS</b> .....               | 10 |
| <b>4.6 RECORTE Y PERFORADO DE PIES DERECHOS</b> ..... | 10 |
| <b>5 Techos</b> .....                                 | 13 |
| <b>5.1 GENERAL</b> .....                              | 13 |
| <b>5.2 REQUISITOS PARA EL TECHO</b> .....             | 13 |
| <b>5.3 CONSTRUCCIÓN DEL TECHO</b> .....               | 13 |
| <b>A Losa de piso con cimentación corrida</b> .....   | 16 |
| <b>A.1 GENERAL</b> .....                              | 16 |
| <b>A.2 REQUISITOS PARA LA CIMENTACIÓN</b> .....       | 16 |
| <b>A.3 PERNOS DE ANCLAJE</b> .....                    | 16 |
| <b>A.4 ANCLAJE EN LAS ESQUINAS</b> .....              | 16 |
| <b>A.5 ANCLAJE EN LAS ABERTURAS</b> .....             | 16 |
| <b>Glosario de términos</b> .....                     | 17 |

**TABLAS**

|                 |                                                                                                                                                |   |
|-----------------|------------------------------------------------------------------------------------------------------------------------------------------------|---|
| <b>Tabla 1.</b> | Tamaños de construcción permitidos. ....                                                                                                       | 4 |
| <b>Tabla 2.</b> | Cuadro general de clavado. ....                                                                                                                | 5 |
| <b>Tabla 3.</b> | Cargas del anclaje de cimentación (PLF) (Points of Light Foundation, puntos de cimentación liviana) y espaciados entre pernos de anclaje. .... | 6 |
| <b>Tabla 4.</b> | Tamaños de vigueta de piso. ....                                                                                                               | 7 |

**FIGURAS**

|                   |                                                                                      |    |
|-------------------|--------------------------------------------------------------------------------------|----|
| <b>Figura 1.</b>  | Entramado principal de la edificación (solo a título ilustrativo). ....              | 3  |
| <b>Figura 2.</b>  | Dimensiones de construcción. ....                                                    | 4  |
| <b>Figura 3.</b>  | Requisitos de pernos de anclaje y cimentación. ....                                  | 6  |
| <b>Figura 4.</b>  | Límites de recorte y perforado de viguetas de piso y de techo de madera maciza. .... | 7  |
| <b>Figura 5.</b>  | Módulos para muros laterales. ....                                                   | 9  |
| <b>Figura 6.</b>  | Límites de recorte y perforado de pies derechos. ....                                | 10 |
| <b>Figura 7.</b>  | Módulos para muros cabeceros con aberturas para ventanas y puertas. ....             | 11 |
| <b>Figura 8.</b>  | Solera superior de los muros laterales. ....                                         | 12 |
| <b>Figura 9.</b>  | Viga superior de los muros laterales. ....                                           | 12 |
| <b>Figura 10.</b> | Alero de muros cabeceros. ....                                                       | 12 |
| <b>Figura 11.</b> | Sistema de techo. ....                                                               | 14 |
| <b>Figura 12.</b> | Arriostramiento (riostras) de techo en muros cabeceros. ....                         | 15 |
| <b>Figura A1.</b> | Requisitos de pernos de anclaje y cimentación. ....                                  | 16 |

# Introducción

Esta *Guía* fue realizada como consecuencia del terremoto en Haití en el 2010. Se reconoció que las construcciones livianas de madera correctamente diseñadas y realizadas pueden ofrecer a los países situados en regiones con actividad sísmica y vientos fuertes un enfoque efectivo para resistir cargas de terremotos y vientos fuertes. La necesidad urgente de refugio y de requisitos de diseño apropiados en la región hacen necesario el uso de edificaciones de entramado de madera más pequeñas y simples. Una vez construidas, estas edificaciones pueden proporcionar refugio permanente. Y, con el propósito de permitir una construcción fácil y rápida, se hizo todo lo posible para que la misma sea realizada en módulos.

La *Guía para los constructores de la Cuenca del Caribe para la construcción con madera en forma de paneles en áreas sísmicas y de vientos fuertes (en adelante, la Guía)* se proporciona para simplificar la construcción y el diseño de edificaciones de entramado de madera en áreas donde los requisitos de diseño respecto de la velocidad del viento no excedan la categoría de exposición C de 150 millas por hora, mph (241 kilómetros por hora, km/h), y donde los requisitos de diseño sísmico no exceden la categoría de diseño sísmico D<sub>2</sub>. Esta *Guía* también fue realizada conforme al *WFCM-2001 Wood Frame Construction Manual (WFCM) for One- and Two-Family Dwellings (Manual de construcción de entramados de madera [WFCM] para viviendas de una y dos familias de 2001)* de la AF&PA (American Forest & Paper Association, Asociación Norteamericana de Fabricantes de Productos Forestales y de Papel) basado en el *Código Internacional de Construcción de los Estados Unidos (U.S. International Building Code)*. En consecuencia, cualquier diseño conforme a esta *Guía* también deberá encontrarse

en total conformidad con el *WFCM*. Las estipulaciones de esta *Guía* se concentran en asegurar la integridad estructural para resistir cargas de vientos y sismos (no simultáneamente). Además, esta *Guía* proporciona estipulaciones básicas de diseño para resistir cargas variables sobre pisos y techos. Esta *Guía* no aborda específicamente otras condiciones de carga. Estas condiciones de carga adicionales deben considerarse según lo requiere el código de construcción y se abordan en el *WFCM*.

Los diseños y la delineación de la cimentación proporcionados en esta guía cumplen con la *Norma para la Construcción Residencial en Regiones de Vientos Fuertes (Standard for Residential Construction in High-Wind Regions)* del International Code Council (ICC 600-2008).

La información en esta *Guía* ha sido proporcionada con el debido cuidado y está dirigida a arquitectos, constructores, diseñadores, funcionarios de códigos, instructores y cualquier persona interesada en el diseño simplificado. Esta *Guía* no tiene como objetivo instruir en todos los aspectos o técnicas de entramado o diseño adecuados. Al desarrollar las estipulaciones para esta *Guía* utilizando las estipulaciones del *WFCM* se evaluó cuidadosamente la información más confiable proveniente de pruebas de laboratorio y de la experiencia con estructuras en uso con el fin de proporcionar un estándar de práctica coherente. Este documento fue elaborado para ser utilizado de acuerdo con diseños de ingeniería aceptables, una construcción correcta y una supervisión adecuada de la misma. Por lo tanto, la AF&PA no se hace responsable de los errores u omisiones en esta *Guía*, en el *WFCM* ni en los diseños o planos de ingeniería realizados a partir de dicha guía.



# 1 Estipulaciones generales

## 1.1 ALCANCE

Esta *Guía* establece una determinada serie de requisitos normativos en relación con las estructuras resistentes a los sismos y vientos para edificaciones residenciales de entramado de madera de los tamaños y formas especificados en la sección de “Aplicabilidad” (1.2) de este capítulo. Las estipulaciones de esta *Guía* tienen el objetivo de asegurar la integridad estructural para resistir cargas de vientos, sismos y cargas variables sobre techos. Además, las estipulaciones de esta *Guía* están basadas en las estipulaciones que figuran en el *2001 Wood Frame Construction Manual for One- and Two-Family Dwellings (WFCM)* (Manual de construcción de entramados de madera [WFCM] para viviendas de una y dos familias de 2001) del ANSI (American National Standards Institute, Instituto Nacional de Normalización Estadounidense) / AF&PA.

Los requisitos de carga de vientos de esta *Guía* están basados en una ráfaga de viento de 3 segundos a una velocidad de 150 mph (241 km/h) para edificios ubicados en sitios de categoría de exposición C. Los requisitos de carga de sismos están basados en la categoría de diseño sísmico D<sub>2</sub>. Tanto los requisitos para cargas de vientos como de sismos están basados en las estipulaciones de la norma ASCE (*American Society of Civil Engineers, Asociación Norteamericana de Ingenieros Civiles*) 7, *Cargas de Diseño Mínimas para Edificaciones y Otras Estructuras (Minimum Design Loads for Buildings and Other Structures)*. Los requisitos para cargas verticales están basados en una carga muerta en muro de 18 psf (pounds per square foot, libras por pie cuadrado) (0,9 kN/m<sup>2</sup>), una carga muerta en techo de 15 pfs (0,7 kN/m<sup>2</sup>) y una carga variable en techo de 20 pfs (1,0 kN/m<sup>2</sup>).

Las estipulaciones de esta *Guía* no tienen el propósito de impedir el uso de otros métodos o materiales de construcción. Cuando los elementos estructurales no cumplan con las condiciones establecidas en esta *Guía* o cuando se utilicen métodos alternativos, los primeros deberán diseñarse y para los segundos deberán determinarse cargas de diseño y capacidades de acuerdo con el *WFCM* o el código de construcción aplicable.

### Conceptos de diseño

Esta *Guía* se basa en los siguientes conceptos:

- Los techos están diseñados como diafragmas, lo que hace que reciban cargas laterales del techo y los muros exteriores (suponiendo que haya viento o sismos en cualquier dirección) y que transfieran dichas cargas a los muros de corte.
- Los muros exteriores están diseñados para resistir y transferir las fuerzas laterales a los cimientos. Los muros exteriores, los cimientos y las conexiones están diseñados para resistir cargas laterales y de elevación provenientes del techo por medio de una vía de carga continua.
- Excepto por las aberturas, los muros exteriores se diseñaron revestidos en su totalidad con paneles estructurales de madera, incluidas las áreas por encima y por debajo de las aberturas. La altura máxima de los muros de carga es de 8' (2438 mm).
- Las aberturas de las puertas no deben exceder los 6'-8" (2032 mm) de altura.
- Las aberturas de las ventanas no deben exceder los 2'-8" (813 mm) de altura.
- Los requisitos de vientos tabulados en esta *Guía* están basados en edificaciones completamente cerradas en las que las aberturas estén diseñadas para las cargas de vientos adecuadas. **Durante los episodios de vientos fuertes se deberán proteger las aberturas para mantener una envolvente arquitectónica completamente cerrada.**
- Las estipulaciones de cimentación especificadas en esta *Guía* están diseñadas para construcciones de tamaños específicos. La cimentación, incluidos el anclaje de elevación y de la escuadra de sujeción, deberán construirse de acuerdo con estas estipulaciones y con cualquier requisito adicional del código de construcción aplicable.



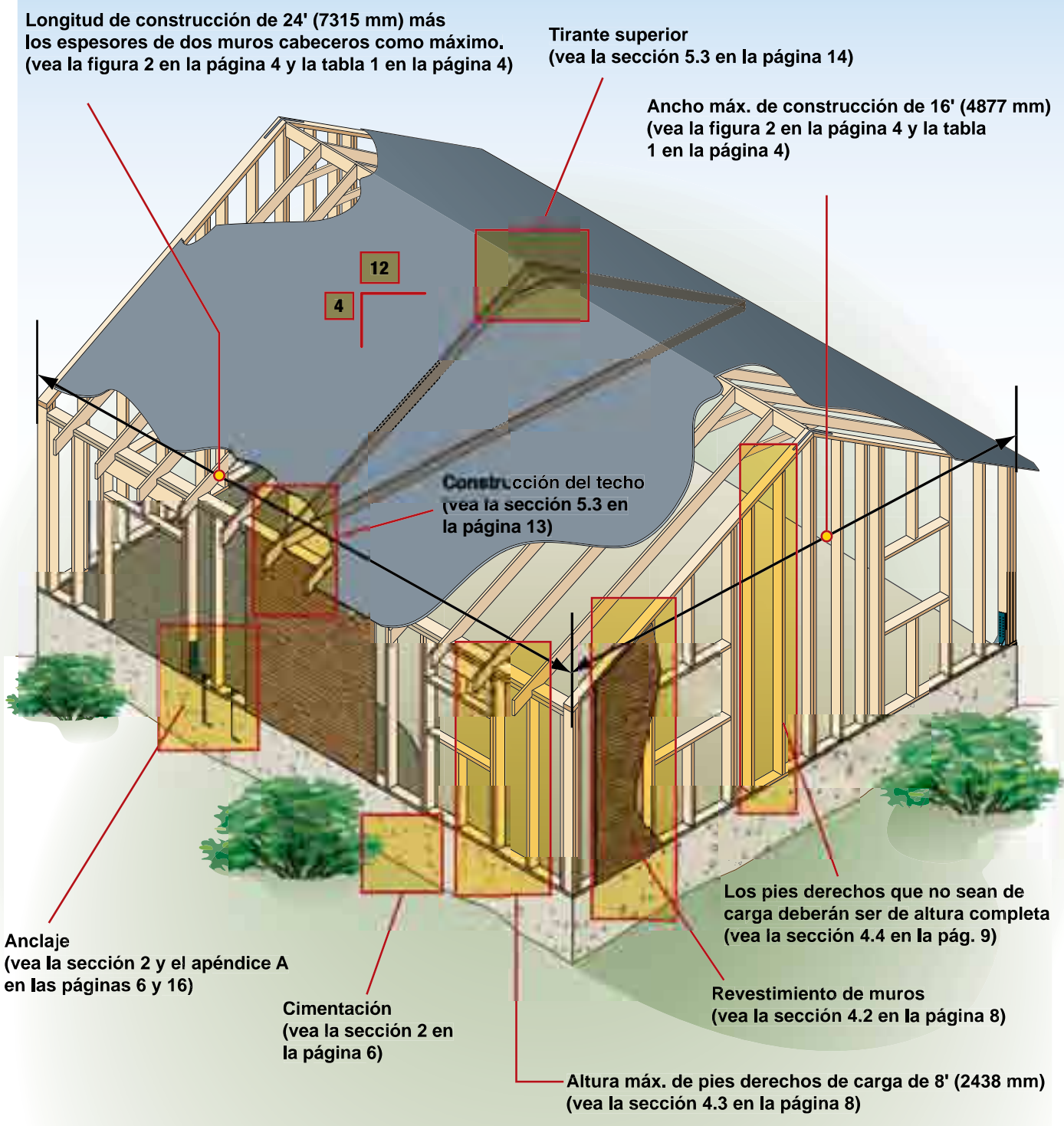


Figura 1. Entramado principal de la edificación. (Solo a título ilustrativo)

**NOTA:** **Vía de carga continua.** La interconexión de todos los elementos estructurales es imprescindible para una edificación resistente a los sismos y vientos. Se deberá proporcionar una vía de carga continua de elementos estructurales interconectados desde los cimientos hasta los muros y techos.



ZONA DE VIENTOS DE 150 MPH (241 km/h) DE CATEGORÍA DE EXPOSICIÓN C / CATEGORÍA DE DISEÑO SÍSMICO D<sub>2</sub>

- Se da por sentado que el entramado y el revestimiento de madera utilizados en estas construcciones están protegidos contra termitas por medio de un tratamiento químico contra termitas aprobado. El tratamiento contra termitas con químicos deberá incluir un tratamiento del suelo y/o un tratamiento de la madera aplicado en campo. La concentración, la tasa de aplicación y el método del tratamiento deberán respetar estrictamente la etiqueta del producto.
- Los entramados de madera que estén en contacto con cimientos de hormigón o de mampostería deberán ser de una madera naturalmente duradera o tratada con preservadores.
- Cuando sea necesario debido a la corrosividad de un tipo específico de tratamiento con preservadores, los elementos de fijación y conectores que estén en contacto con la madera tratada con preservadores deberán ser de acero galvanizado en caliente, acero inoxidable, bronce al silicio o cobre. Los tipos de recubrimientos y pesos para los conectores en contacto con la madera tratada con preservadores deberán seguir las recomendaciones del fabricante de los conectores.

1.2 APLICABILIDAD

Altura de la construcción

- La construcción no deberá ser de más de una planta por encima de la cimentación. La altura media del techo, medida desde la rasante promedio hasta la elevación promedio del techo, no deberá exceder los 25' (7620 mm).
- La altura máxima de los muros de carga es de 8' (2438 mm).
- Los techos deberán tener una pendiente de 4 en 12.

Dimensiones de construcción

- Esta *Guía* se limita a las combinaciones específicas de las dimensiones de construcción indicadas en la tabla 1.
- La longitud (L) máxima de construcción en dirección paralela a la cumbrera no deberá exceder los 24' (7315 mm) más el espesor de dos muros cabeceros de 2x6.
- El ancho (W) máximo de construcción en dirección perpendicular a la cumbrera no deberá exceder los 16' (4877 mm), y no deberá exceder la longitud de construcción. Vea la figura 2.

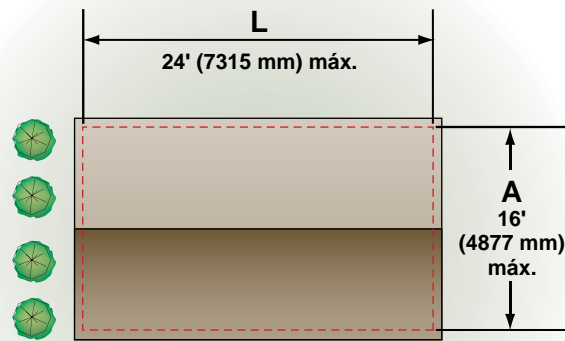


Figura 2. Dimensiones de construcción (con aleros de techo a la vista).

Forma de la construcción

- **Construcciones rectangulares:** En las estipulaciones de diseño en esta *Guía* se asume que las construcciones son rectangulares.
- **Construcciones no rectangulares:** Las construcciones no rectangulares están fuera del alcance de esta *Guía*. En el caso que sea necesario diseñar construcciones no rectangulares, se deberá usar el *WFCM*.

Tabla 1. Tamaños de construcción permitidos.

|                                                           |           |            |            |            |            |            |
|-----------------------------------------------------------|-----------|------------|------------|------------|------------|------------|
| Ancho (A) de construcción, pies (mm)                      | 8 (2438)  | 12 (3658)  | 12 (3658)  | 16 (4877)  | 16 (4877)  | 16 (4877)  |
| Longitud (L) de construcción, pies (mm)                   | 12 (3658) | 12 (3658)  | 16 (4877)  | 16 (4877)  | 20 (6096)  | 24 (7315)  |
| Área de construcción, pies <sup>2</sup> (m <sup>2</sup> ) | 96 (8,9)  | 144 (13,4) | 192 (17,8) | 256 (23,8) | 320 (29,7) | 384 (35,7) |

Nota: Las longitudes de construcción reales serán las dimensiones indicadas en la tabla 1 más el espesor de dos muros cabeceros de 2x6.

### 1.3 CONEXIONES DE ENTRAMADO

Las conexiones de entramado generales deberán respetar los requisitos de la tabla 2. Las conexiones específicas necesarias para las construcciones resistentes a sismos y vientos se detallan en las descripciones de ensamble en otras secciones de esta *Guía*.

Tabla 2. Cuadro general de clavado.

| Descripción de las uniones                                                                               | Cantidad de clavos comunes | Cantidad de clavos de encajonar | Separación entre clavos                          |
|----------------------------------------------------------------------------------------------------------|----------------------------|---------------------------------|--------------------------------------------------|
| <b>Entramado y revestimiento del techo</b>                                                               |                            |                                 |                                                  |
| Bloques a vigueta de techo (clavado lancero)                                                             | 2- 8d                      | 2-10d                           | cada extremo                                     |
| Tablón de cerramiento a vigueta de techo (clavado cabecero)                                              | 2-16d                      | 3-16d                           | cada vigueta de techo                            |
| Vigueta de techo a solera superior (clavado lancero)                                                     | 3-16d                      | 4-16d                           | cada vigueta de techo                            |
| Bloques a solera superior (clavado lancero)                                                              | 2-16d                      | 3-16d                           | cada bloque                                      |
| Vigueta de techo a viga de cubierta en muros laterales                                                   | 5-16d                      | 7-16d                           | cada extremo                                     |
| Revestimiento a viguetas de techo con espacio de 16" (406 mm) centro a centro                            | 8d                         | 10d                             | 4" (102 mm) borde/<br>4" (102 mm) campo          |
| Revestimiento a solera superior del muro cabecero con gablete                                            | 8d                         | 10d                             | 3" (76 mm) borde/<br>3" (76 mm) campo            |
| Revestimiento a los bloques en muro lateral                                                              | 8d                         | 10d                             | 3" (76 mm) borde/<br>3" (76 mm) campo            |
| <b>Entramado y revestimiento del piso</b>                                                                |                            |                                 |                                                  |
| Vigueta a solera, solera superior o viga (clavado lancero)                                               | 4- 8d                      | 4-10d                           | por vigueta                                      |
| Bloques a vigueta (clavado lancero)                                                                      | 2- 8d                      | 2-10d                           | por extremo                                      |
| Bloques a solera o solera superior (clavado lancero)                                                     | 3-16d                      | 4-16d                           | cada bloque                                      |
| Vigueta perimetral a vigueta (clavado cabecero)                                                          | 3-16d                      | 3-16d                           | por vigueta                                      |
| Vigueta perimetral a solera o solera superior (clavado lancero)                                          | 2-16d                      | 3-16d                           | por pie (305 mm)                                 |
| Revestimiento a viguetas                                                                                 | 8d                         | 10d                             | 6" (152 mm) borde/<br>12" (305 mm) campo         |
| <b>Entramado y revestimiento de muros</b>                                                                |                            |                                 |                                                  |
| Solera a cada pie derecho (clavado cabecero)                                                             | 3-16d                      | No disponible                   | cada pie derecho                                 |
| Pie derecho a solera de 2x encima y debajo de las aberturas en los muros (clavado cabecero)              | 3-16d                      | 4-16d                           | Uniones - cada lado                              |
| Solera superior más alta a solera superior más baja                                                      | 2-16d                      | 3-16d                           | 6" (152 mm) centro a centro                      |
| Pie derecho a pie derecho en múltiples pies derechos y entre los módulos de los muros (clavazón de cara) | 2-16d                      | 3-16d                           | 12" (305 mm) centro a centro                     |
| Revestimiento de muros a cada pie derecho y solera superior (campo y borde)                              | 8d                         | 10d                             | 6" (152 mm) centro a centro                      |
| Revestimiento de muros a solera superior e inferior de muro cabecero                                     | 8d                         | 10d                             | 2 filas a 4" (102 mm) centro a centro escalonado |
| Revestimiento de muros a soleras inferiores del muro lateral                                             | 8d                         | 10d                             | 2 filas a 4" (102 mm) centro a centro escalonado |

**Clavos.** A menos que se establezca lo contrario, los tamaños indicados para los clavos son tamaños de clavos de alambre comunes. Los clavos de aplicación neumática de diámetro equivalente e igual o mayor longitud a la de los clavos comunes o de encajonar especificados pueden ser sustituidos, a menos que se establezca lo contrario. Diámetros de clavos comunes: 8d = 0.131" (3,33 mm); 16d = 0.162" (4,11 mm). Diámetros de clavos de encajonar: 10d = 0.128" (3,25 mm); 16d = 0.135" (3,43 mm).

# 2 Cimentación y anclaje de cimentación

## 2.1 GENERAL

La casa deberá estar anclada al sistema de cimentación para que pueda resistir las cargas señaladas en la tabla 3 y cumplir con los requisitos de la escuadra de sujeción indicados en las secciones 2.2 y 2.3. Para detalles del sistema de cimentación vea la figura 3 y el apéndice A.

Tabla 3. Cargas del anclaje de cimentación (PLF).

| Elevación | Lateral | Corte |
|-----------|---------|-------|
| 420       | 370     | 230   |

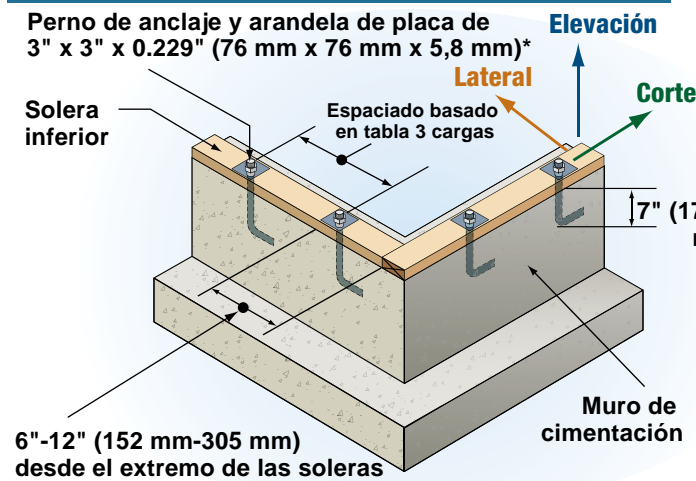
## 2.2 ANCLAJE EN LAS ESQUINAS

Se necesita un conector de escuadra de sujeción con una capacidad de 1,685 libras (7,5 kN) en cada esquina de la edificación.

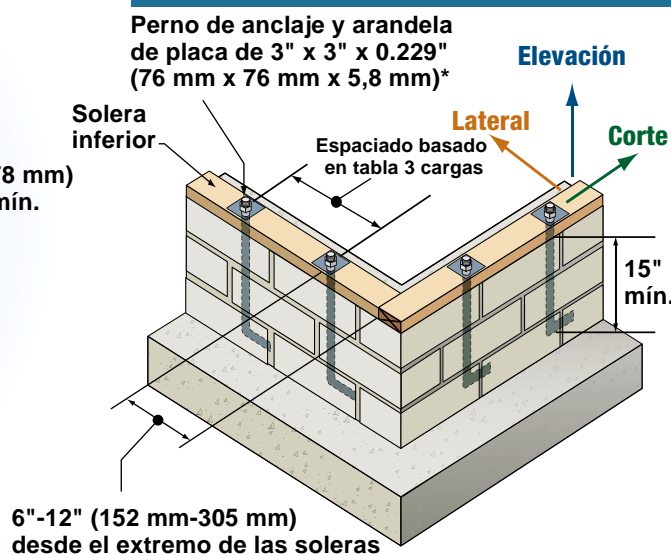
## 2.3 ANCLAJE EN LAS ABERTURAS

Se necesita un conector de escuadra de sujeción con una capacidad de 1,000 libras (4,5 kN) a cada lado de una abertura para puerta. En la figura 5b las escuadras de sujeción se muestran a cada lado de la puerta.

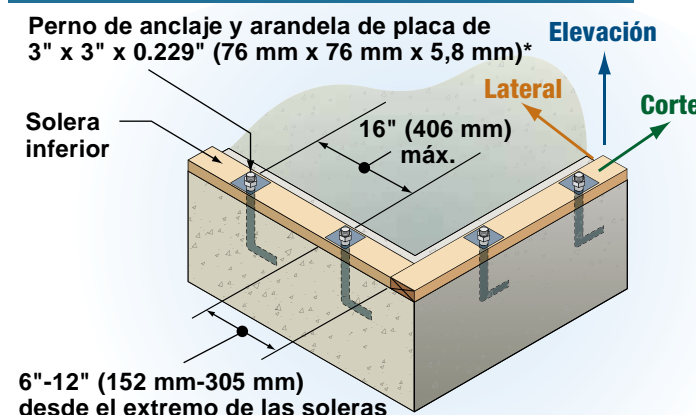
### (a) Los cimientos de un sótano o pared de cimentación



### (b) Cimientos de un sótano o pared de cimentación de mampostería de hormigón



### (c) Losa de piso con cimentación corrida



\* Coloque la arandela de placa a 1/2" (13 mm) del borde exterior (revestido) de la solera inferior.

**Nota:** Los cimientos de un sótano o pared de cimentación son utilizados para sistemas de pisos de madera como se detalla en el capítulo 3.

Figura 3. Requisitos de pernos de anclaje y cimentación.

2 CIMENTOS

## 3 Pisos de madera

### 3.1 GENERAL

Se proporcionan detalles para que el entramado del piso pueda resistir las cargas verticales y laterales especificadas. El entramado del piso no se realizó en módulos debido a consideraciones de peso y manejo. En el análisis sísmico se consideró el peso de un sistema típico de pisos de madera.

### 3.2 REQUISITOS PARA PISOS DE MADERA

- **Madera para entramados:** Todas las viguetas de piso deberán ser como mínimo de clase N° 2 (incluidas las especies abeto-alerce Douglas, abeto americano del oeste, pino del sur y píceo-pino-abeto) de acuerdo con la tabla 4.

Tabla 4. Tamaños de vigueta de piso.

| Claro de piso |              |               |               |
|---------------|--------------|---------------|---------------|
| 6' (1828 mm)  | 8' (2438 mm) | 12' (3657 mm) | 16' (4876 mm) |
| 2x6           | 2x6          | 2x8           | 2x12          |

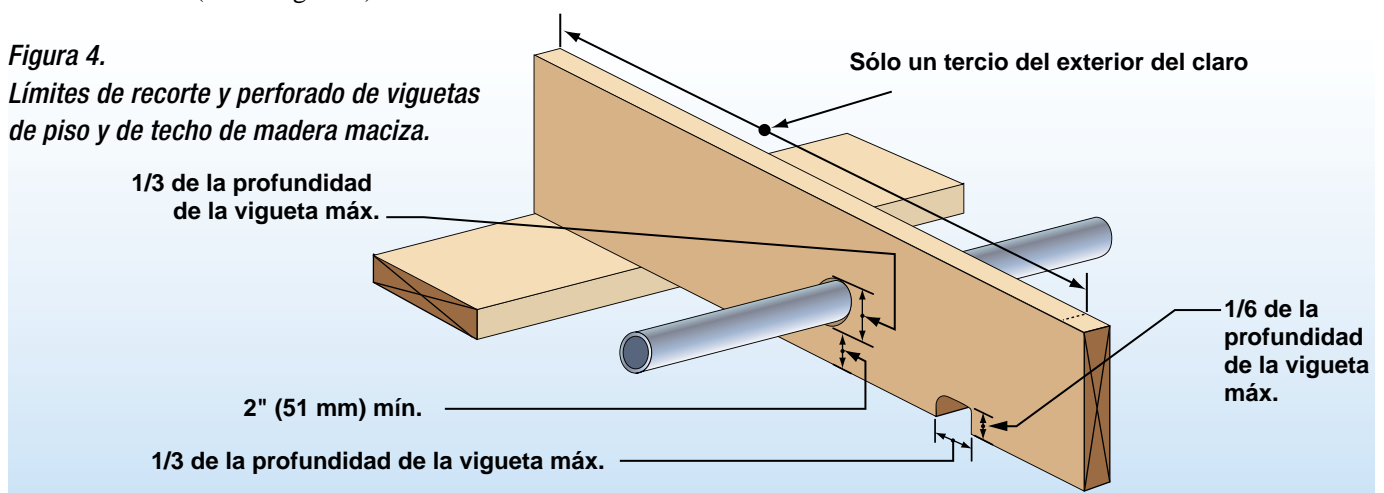
- **Revestimiento del piso:** Los pisos deberán estar completamente revestidos con paneles estructurales de madera de un mínimo de 19/32" (15 mm) y sujetos según lo indica la tabla 2. El revestimiento deberá instalarse con la veta superficial perpendicular a las viguetas.
- **Clavado:** En la tabla 2 se detalla el clavado típico.

### 3.3 CONSTRUCCIÓN DE PISOS DE MADERA

- **Dirección de la vigueta de piso:** Las viguetas de piso deberán ser instaladas paralelas a las viguetas de techo y a las vigas de cubierta.
- **Arriostramiento (riostras) de pisos en muro cabecero:** Los bloques y las conexiones deberán distribuirse en los bordes de los paneles y de forma perpendicular a los miembros estructurales del piso en los primeros dos espacios entre viguetas y deberán tener un espacio máximo de 4' (1219 mm) centro a centro. (Para más detalles sobre el concepto vea el detalle A de la figura 12). En la tabla 2 se indican los requisitos de clavado.
- **Recorte y perforado de viguetas de piso:** Los recortes en el borde superior o inferior de las viguetas de piso no deberán cortarse en el tercio medio del claro. Los recortes en los tercios exteriores del claro no deberán exceder un sexto de la profundidad real del miembro. Los recortes hechos en los soportes no deberán exceder un cuarto de la profundidad real del miembro. Las perforaciones tienen un diámetro máximo de un tercio de la profundidad real del miembro y los bordes de dichas perforaciones no deberán estar a menos de 2" (51 mm) de los bordes superiores o inferiores (vea la figura 4).

Figura 4.

Límites de recorte y perforado de viguetas de piso y de techo de madera maciza.



## 4 Muros

### 4.1 GENERAL

Se proporciona una delineación de los módulos de muros exteriores para que puedan resistir las cargas especificadas. Los acabados interiores no se tuvieron en cuenta para la capacidad de soporte de carga estructural; sin embargo, en el análisis sísmico se consideró el peso de un típico acabado interior, como los paneles de yeso de ½" (13 mm). Del mismo modo, el peso de un típico acabado exterior, como el estuco, también se consideró en el análisis sísmico.

Los muros interiores no fueron considerados, pero el usuario final puede agregarlos según sea necesario. Los materiales de los muros interiores, los métodos de entramado y las conexiones serán los especificados por el usuario final.

### 4.2 REQUISITOS PARA MUROS EXTERIORES

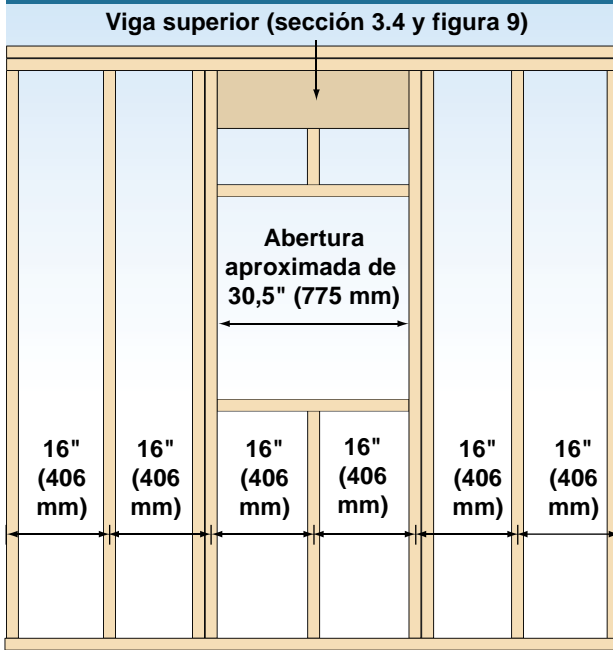
- **Alturas de los muros:** Los muros (de carga) laterales no deberán exceder las 8' (2438 mm) de altura (vea la figura 4). Los muros de cabecera (que no sean de carga) deberán constar de un entramado de pies derechos de altura completa.
- **Pies derechos de madera:** Los pies derechos de muros deberán ser de madera de clase "Stud" (pie derecho) (incluidas las especies abeto-alerce Douglas, abeto americano del oeste, pino del sur y píceo-pino-abeto) de un mínimo de 2x6 (38 mm x 140 mm).
- **Espaciado de los pies derechos para muros:** El espaciado para los pies derechos de muros (de carga) laterales deberá ser de 16" (406 mm) centro a centro o menor. El espaciado para los pies derechos de muros cabeceros (que no sean de carga) deberá ser de 16" (406 mm) centro a centro o menor, excepto los pies derechos de más de 10' (3048 mm) de longitud cuyo espaciado deberá ser de 12" (305 mm) centro a centro o menor. Para ver una delineación específica vea las figuras 5 y 7.
- **Continuidad de los pies derechos:** Los pies derechos deberán colocarse de manera continua entre los soportes horizontales (por ejemplo, ensamblajes en losas de piso con cimentación corrida y diafragmas de techo). Los pies derechos en muros cabeceros con gablete deberán encontrarse de manera continua desde el piso hasta el diafragma de techo.
- **Revestimiento de los muros exteriores:** Los muros exteriores deberán estar completamente revestidos con paneles estructurales de madera de un mínimo de 19/32" (15 mm) y sujetos según lo indica la tabla 2. El revestimiento exterior deberá ser continuo desde la solera inferior hasta la solera superior, con los bordes de los paneles por encima del entramado.
- **Clavado:** En la tabla 2 se detalla el clavado típico. El clavado específico se detalla mediante figuras.
- **Entablado de los muros exteriores:** La clasificación del entablado de los muros exteriores deberá corresponder a la categoría de exposición C para ráfagas de viento de 3 segundos a una velocidad de 150 mph (241 km/h) y deberá instalarse según las instrucciones del fabricante.

### 4.3 CONSTRUCCIÓN DE LOS MUROS LATERALES

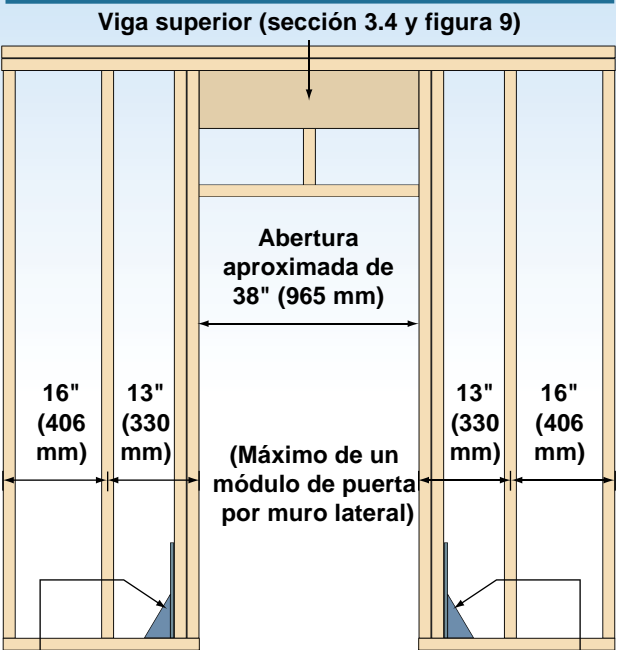
Los muros laterales están hechos de módulos de puertas y ventanas de 8' (2438 mm) de largo. Además, para otorgar flexibilidad se encuentran disponibles módulos de relleno de 4' (1219 mm) de largo y completamente revestidos. Para consultar las configuraciones permitidas vea la figura 5. Para obtener las longitudes de construcción permitidas en la tabla 1, se combinan módulos de muros laterales de 8' (2438 mm) y 4' (1219 mm). Observe que sólo se permite un módulo de puerta por muro lateral. Como se observa en la figura 5c, está permitido agregar aberturas para ventanas a los módulos de relleno de 4' (1219 mm).

- **Construcción de la solera superior de los muros laterales:** Las soleras superiores dobles deberán colocarse en la parte superior de todos los muros laterales exteriores. La primera solera (inferior) se instala inicialmente durante la construcción de los módulos y se sujeta a todos los pies derechos de los muros con clavado cabecero como lo indica la tabla 2. La segunda solera (superior) se instala en obra posteriormente y las uniones en la segunda solera superior deberán colocarse directamente sobre un pie derecho y proporcionar un empalme traslapado de un mínimo de 48" (1219 mm) con las uniones de la solera inferior (vea la figura 8). El clavazón de cara de solera a solera está especificado en la tabla 2. El clavado en obra del revestimiento de muros a la solera superior más alta debe concordar con lo indicado en la tabla 2.
- **Anclaje en las aberturas para puertas:** Las escuadras de sujeción deberán instalarse según la sección 2.3.

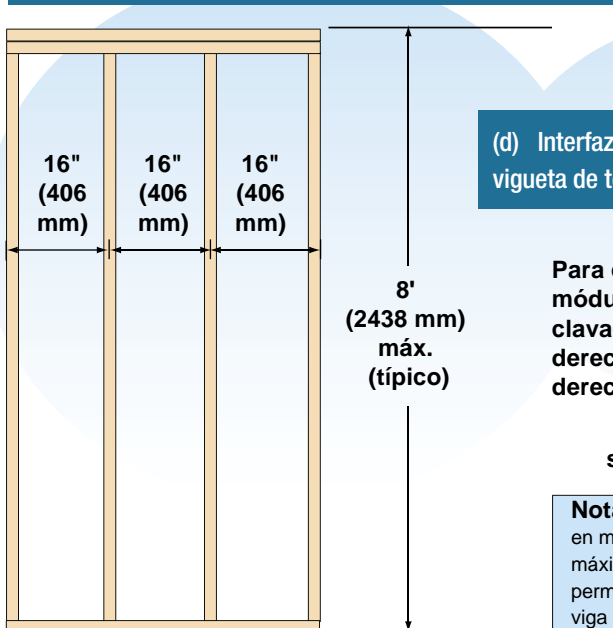
(a) Sección de muro de ocho pies (2438 mm) con ventana



(b) Sección de muro de ocho pies (2438 mm) con puerta



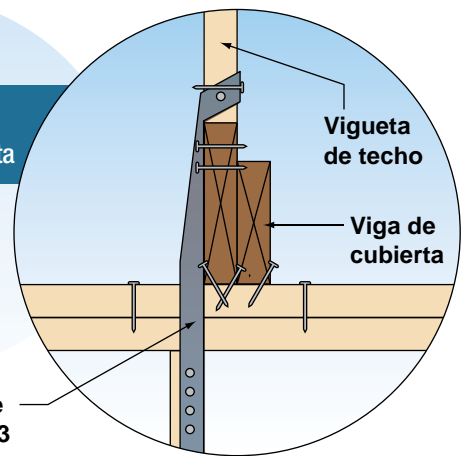
(c) Módulo de relleno de cuatro pies (1219 mm)



(d) Interfaz de muro lateral, vigueta de techo y viga de cubierta

Para conectar los módulos utilice un clavado de pie derecho a pie derecho.

Instale el fleje según la sección 5.3



**Nota:** Se permite una abertura para ventana con corte en obra entre los pies derechos en módulos de muros laterales de 4' (1219 mm). No corte los pies derechos. La altura máxima de la abertura aproximada no deberá exceder las 32" (813 mm). No está permitido dentro de las 32" (813 mm) de la esquina de la edificación. Instale en obra una viga superior tangencial de 2x6 (38 mm x 140 mm) y una solera. Clavar según lo especificado en la tabla 2.

Figura 5. Módulos para muros laterales.

### 4.4 MURO CABECERO

Los muros cabeceros están hechos de módulos de 4' (1219 mm) y 8' (2438 mm) y se combinan para poder obtener los anchos de construcción permitidos en la tabla 1. Para ver los módulos permitidos para muros cabeceros, vea la figura 7.

- **Flejes de muros cabeceros en la cumbre:** En los puntos en que los módulos de muros cabeceros intersecan en la cumbre, se deberá instalar un fleje de acero con una capacidad a la tracción de 400 libras (1,8 kN) a lo largo de la intersección y este deberá aplicarse sobre el revestimiento del techo y directamente a la solera superior en cada módulo. El fleje deberá estar centrado a lo largo de la intersección de los dos módulos.

- **Escuadras de sujeción:** Se deberá instalar una escuadra de sujeción en cada extremo de cada muro cabecero según lo indica la sección 2.2. Cada escuadra de sujeción se utiliza para los muros cabeceros y laterales para resistir las fuerzas de elevación debidas al vuelco. El entramado de las esquinas en la intersección de los muros deberá sujetarse entre sí para transferir dichas cargas de elevación (vea el detalle A de la figura 7).

#### 4.5 ABERTURAS EN LOS MUROS

El tamaño y la ubicación permitidos para las aberturas en los muros están detallados en los módulos de los muros cabeceros y laterales (vea las figuras 5 y 7). Todos los materiales de entramado alrededor de las aberturas en los muros (incluidos vigas superiores, soleras y pies derechos de altura completa) deberán cumplir los mismos requisitos especificados para los pies derechos de muros típicos.

- **Pies derechos de altura completa:** Se deberán colocar pies derechos dobles de altura completa en cada lado de cada abertura (figuras 5a, 5c, 7a y 7b). El clavado de soleras a pies derechos está especificado en la tabla 2. El revestimiento de muros deberá sujetarse a todos los pies derechos de altura completa según lo indica la tabla 2.
- **Vigas superiores:** Las vigas superiores de los muros laterales deberán fabricarse utilizando tres miembros de 2x6 (38 mm x 140 mm) (con separadores sólidos de 1/2" x 5,5" [12 mm x 140 mm]) como se muestra en la figura 9 e instalarse directamente debajo de la solera superior de los muros. Las vigas superiores de los muros laterales se sujetan a los pies derechos de altura completa mediante tres clavos cabeceros de 16d en cada extremo de cada miembro de 2x6 (38 mm x 140 mm) de la viga superior. Los muros cabeceros utilizan sólo una solera horizontal de 2x6 (38 mm x 140 mm) como se señala a continuación.
- **Soleras directamente encima o debajo de las aberturas:** Instale una sola solera de 2x6 (38 mm x 140 mm) por la cara ancha según sea necesario. Sujete el/los pie(s) derecho(s) a la(s) solera(s) con tres clavos cabeceros de 16d en cada extremo de la solera. Sujete el revestimiento de muros a todas las soleras según lo indica la tabla 2. Sujete los pies derechos que se encuentran encima y debajo de las aberturas a las soleras con dos clavos cabeceros o lanceros de 16d en cada extremo del pie derecho.

#### 4.6 RECORTE Y PERFORADO DE PIES DERECHOS

Los cortes en cualquier borde de los pies derechos no deberán realizarse en el tercio medio de la longitud del pie derecho. Los cortes en los tercios exteriores de la longitud del pie derecho no deberán exceder el 25% de la profundidad real del pie derecho. Las perforaciones no deberán exceder el 40% de la profundidad real del pie derecho para un único pie derecho, o el 60% de la profundidad real del pie derecho cuando los mismos se agrupen de a dos. Las perforaciones no deberán estar a menos de 5/8" (16 mm) del borde del pie derecho. Los cortes y las perforaciones no deberán realizarse en la misma sección transversal (vea la figura 6).

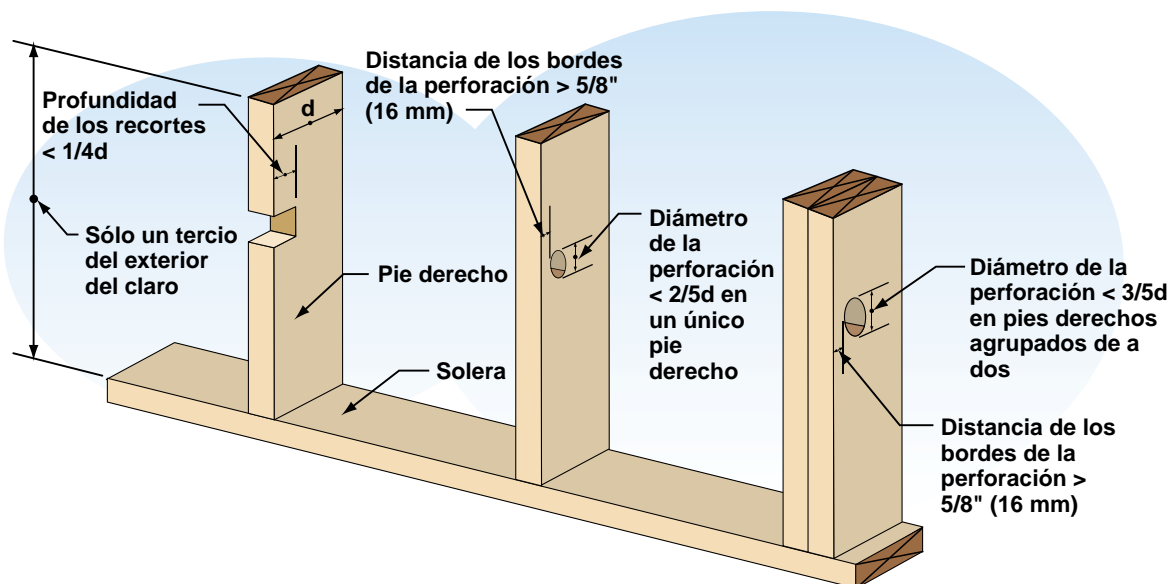
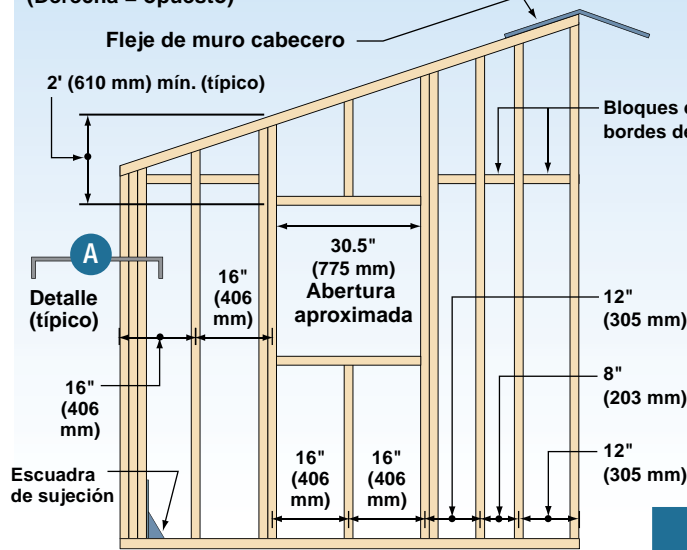


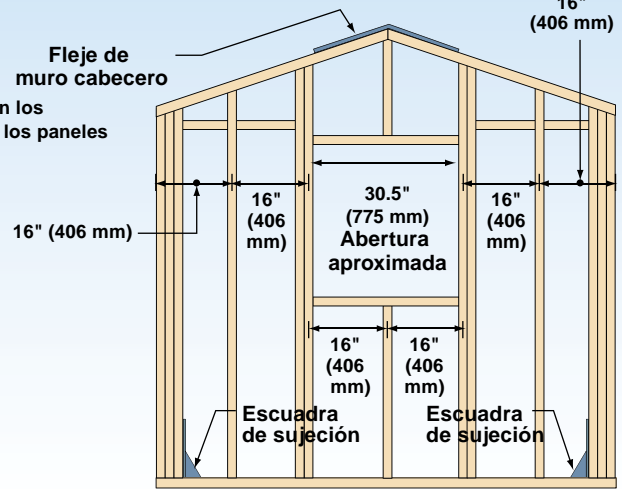
Figura 6. Límites de recorte y perforado de pies derechos.

(a) Mitad izquierda de muro cabecero de 16' (4877 mm)

(Derecha = opuesto)

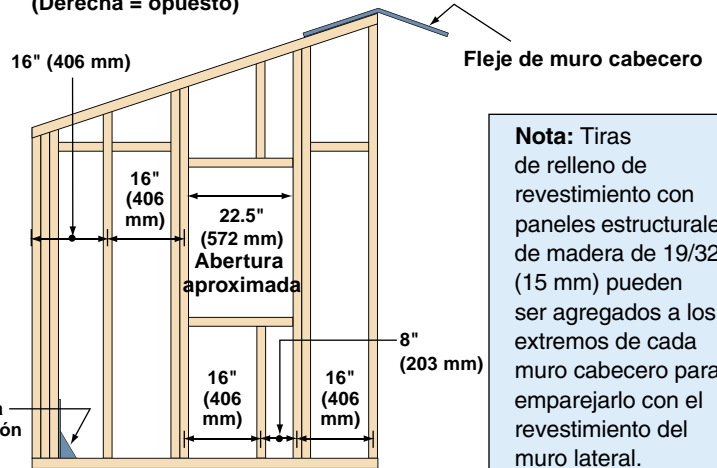


(b) Muro cabecero de ocho pies (2438 mm)

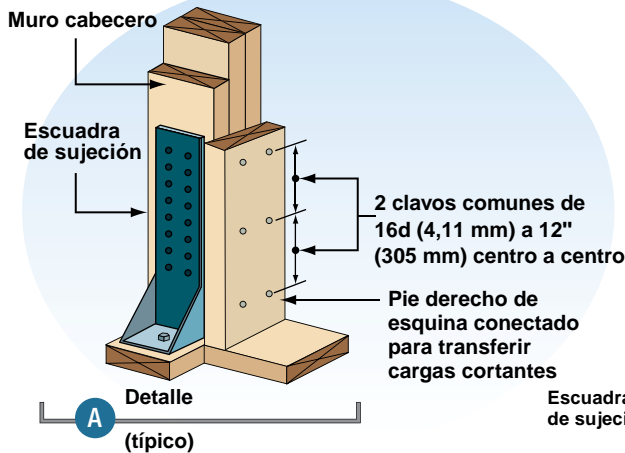


(c) Mitad izquierda de muro cabecero de 12' (3658 mm)

(Derecha = opuesto)



**Nota:** Tiras de relleno de revestimiento con paneles estructurales de madera de 19/32" (15 mm) pueden ser agregados a los extremos de cada muro cabecero para emparejarlo con el revestimiento del muro lateral.



(d) Muro cabecero con abertura para puerta

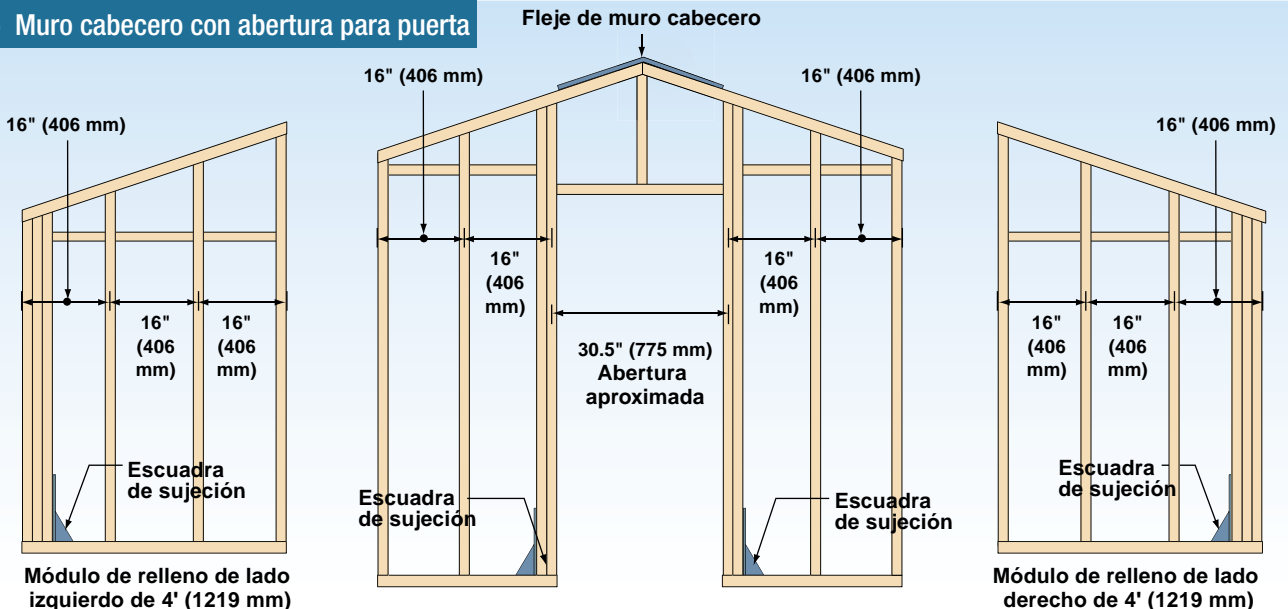


Figura 7. Módulos para muros cabeceros con aberturas para ventanas y puertas.



ZONA DE VIENTOS DE 150 MPH (241 km/h) DE CATEGORÍA DE EXPOSICIÓN C / CATEGORÍA DE DISEÑO SÍSMICO D<sub>2</sub>

4

MUROS

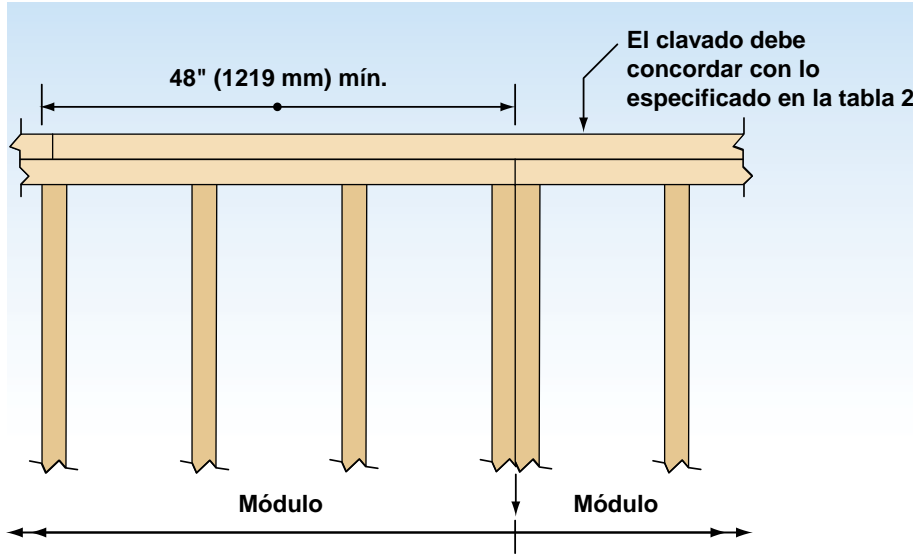


Figura 8. Solera superior de los muros laterales.

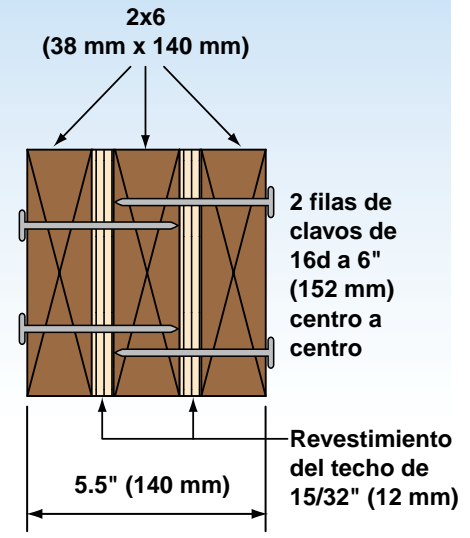


Figura 9. Viga superior de los muros laterales.

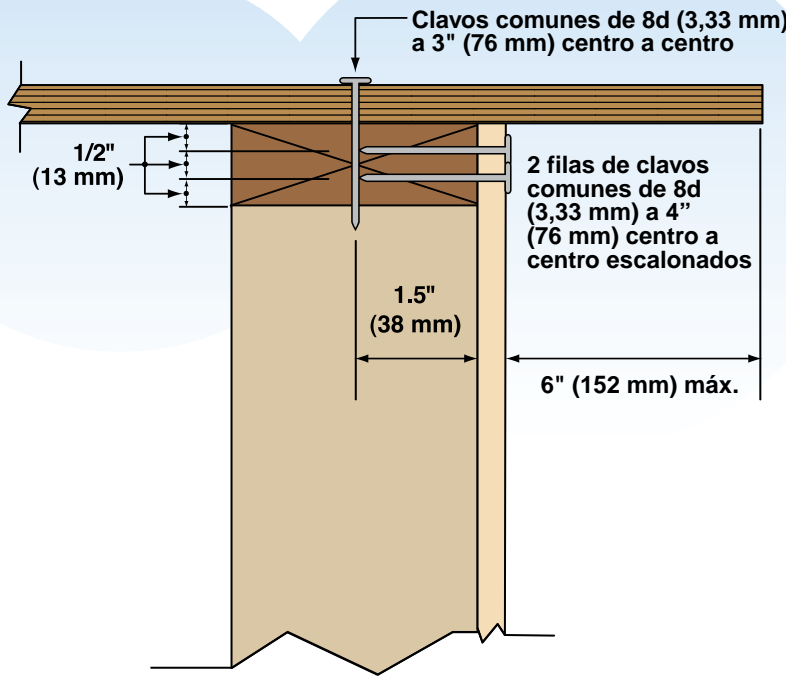


Figura 10. Alero de muros cabeceros.

# 5 Techos

## 5.1 GENERAL

Se proporcionan detalles para que el entramado del techo pueda resistir las cargas verticales y laterales especificadas. El entramado del techo no se realizó en módulos debido a consideraciones de peso y manejo. Los acabados interiores no se tuvieron en cuenta para la capacidad de soporte de carga estructural. El peso de un típico acabado interior, como el cielo raso de paneles de yeso de 1/2" (13 mm), se consideró en el análisis sísmico. Del mismo modo, el peso de un típico techo de tejas de asfalto también se consideró en el análisis sísmico.

El soporte estructural del techo no depende de los muros interiores. El usuario final puede agregar muros interiores que no sean de carga según sea necesario. Los materiales de los muros interiores, los métodos de entramado y las conexiones serán los especificados por el usuario final.

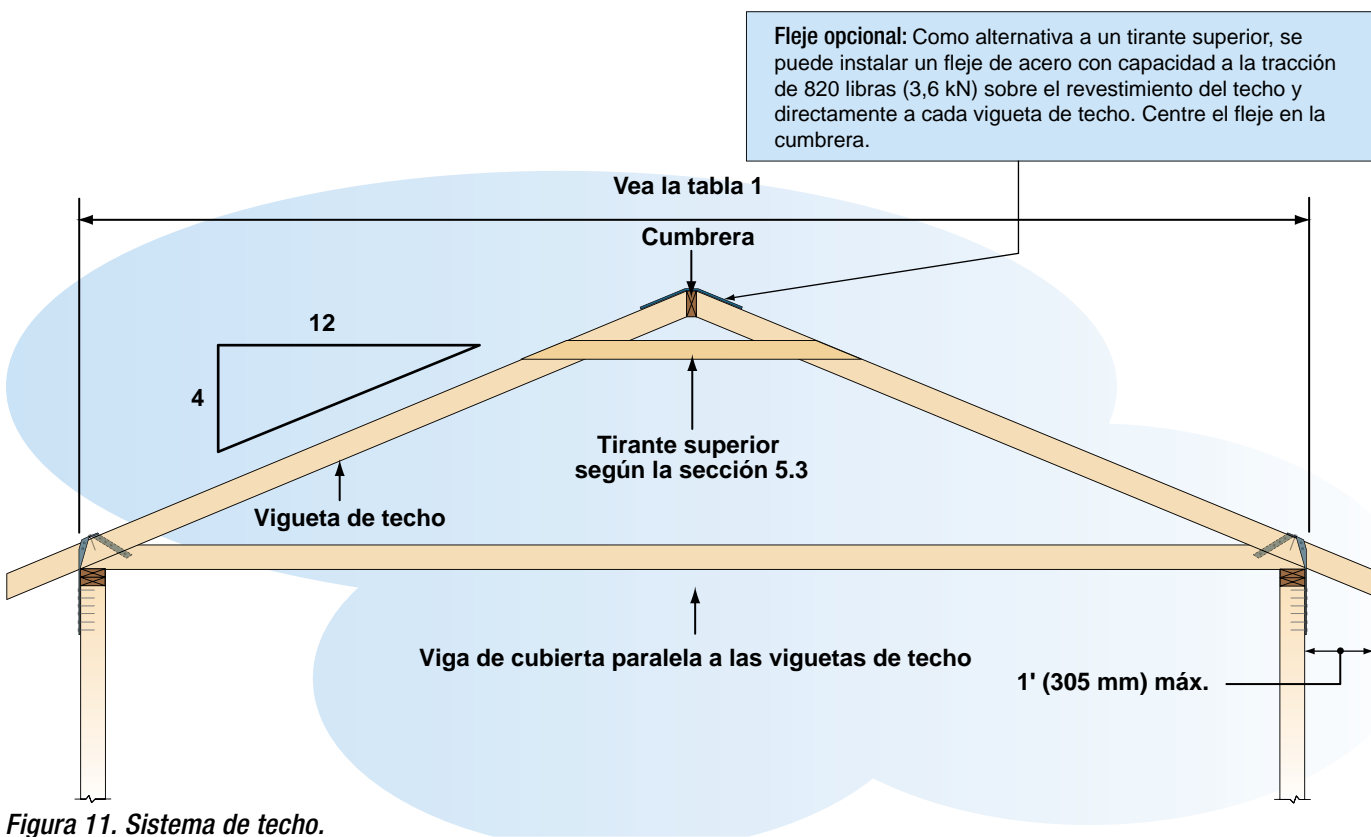
## 5.2 REQUISITOS PARA EL TECHO

- **Pendiente del techo:** Los techos deberán tener una pendiente de 4 en 12.
- **Madera para entramados:** Todos los materiales de entramado deberán ser de clase "Stud" (pie derecho) (incluidas las especies abeto-alerce Douglas, abeto americano del oeste, pino del sur y píce-pino-abeto) y de un mínimo de 2x6 (38 mm x 140 mm), **excepto para las edificaciones de 16' (4877 mm) de ancho, las cuales requieren viguetas de techo y vigas de cubierta de clase N° 2 de 2x6 (38 mm x 140 mm).**
- **Viguetas de alero:** Las viguetas de alero no deberán exceder 1' (305 mm).
- **Aleros de muros cabeceros:** Los aleros de muros cabeceros no deberán exceder las 6" (152 mm).
- **Espaciado de viguetas de techo y vigas de cubierta:** El espaciado para todas las viguetas de techo y vigas de cubierta deberá ser de 16" (406 mm) centro a centro y estas deberán estar alineadas directamente sobre los pies derechos de los muros laterales.
- **Continuidad de las vigas de cubierta:** Las vigas de cubierta deben encontrarse de manera continua entre los muros laterales. No se permiten empalmes internos.
- **Pendiente del techo:** Los techos deberán estar completamente revestidos con paneles estructurales de madera de un mínimo de 15/32" (12 mm) y sujetos según lo indica la tabla 2. El revestimiento deberá instalarse con la veta superficial perpendicular a las viguetas.
- **Clavado:** En la tabla 2 se detalla el clavado típico. El clavado específico se detalla mediante figuras.

## 5.3 CONSTRUCCIÓN DEL TECHO

- **Vigueta cumbreira:** Una vigueta cumbreira de un mínimo de 2x6 (38 mm x 140 mm) deberá instalarse en la cumbreira. Las viguetas de techo deberán colocarse de forma que estén directamente enfrentadas. Las vigas de cubierta deberán utilizarse para servir de tirante entre los muros laterales exteriores. Las conexiones de las vigas de cubierta a las viguetas de techo deberán respetar lo indicado en la tabla 2. Las viguetas de techo opuestas deberán estar conectadas mediante tirantes superiores como se señala a continuación.
- **Fleje de vigueta de techo a pie derecho:** Se deberá colocar un fleje de acero con una capacidad a la tracción de 640 libras (2,8 kN) en cada vigueta de techo. Los flejes deberán instalarse sobre el revestimiento de muros y la vigueta de techo deberá conectarse al pie derecho que se encuentra debajo utilizando los clavos especificados (vea la figura 5d).
- **Pendiente del techo:** Se permiten las aberturas en el techo que caben entre las viguetas de techo. La longitud máxima de las aberturas paralelas a las viguetas de techo es de 24" (610 mm). Bloquee cada extremo de la abertura con un entramado de 2x6 (38 mm x 140 mm) y sujete el revestimiento del techo según lo indica la tabla 2.
- **Conexión de herraje de unión de viguetas de techo/cielo raso:** Sujete cada vigueta de techo a las vigas de cubierta adyacentes como se especifica en la tabla 2.

- **Tirantes superiores o flejes de cumbrera:** Instale tirantes superiores de 2x6 (38 mm x 140 mm) entre las viguetas de techo opuestas. Los tirantes superiores deben estar directamente debajo de la viga cumbrera (tercio superior del espacio del ático) y sujetos con 5 clavos comunes de 16d (4,11 mm) a cada viga de techo (vea la figura 11). Otra alternativa es instalar un fleje de acero con capacidad a la tracción de 820 libras (3,6 kN) sobre el revestimiento del techo y directamente a cada viga de techo. Centre el fleje en la cumbrera.
- **Arriostamiento (riostras) de techo en muros cabeceros:** Instale bloques de 2x6 (38 mm x 140 mm) en los bordes del revestimiento del techo de forma perpendicular a las viguetas de techo en los primeros tres espacios entre dichas viguetas. El espaciado de los bloques deberá ser de un máximo de 4' (1219 mm) centro a centro. En la tabla 2 se indican los requisitos de clavado (vea la figura 12).
- **Cielos rasos (tipo catedral) abiertos:** Los cielos rasos abiertos están fuera del alcance de esta *Guía* y, si se diera el caso, deberán diseñarse de acuerdo con el *WFCM*.
- **Recorte y perforado de viguetas de techo y vigas de cubierta:** Los recortes en el borde superior o inferior de las viguetas de techo o vigas de cubierta de madera maciza no deberán cortarse en el tercio medio del claro. Los recortes en los tercios exteriores del claro no deberán exceder un sexto de la profundidad real del miembro. Los recortes hechos en los soportes no deberán exceder un cuarto de la profundidad real del miembro. Las perforaciones tienen un diámetro máximo de un tercio de la profundidad real del miembro y los bordes de dichas perforaciones no deberán estar a menos de 2" (51 mm) de los bordes superiores o inferiores (vea la figura 4).



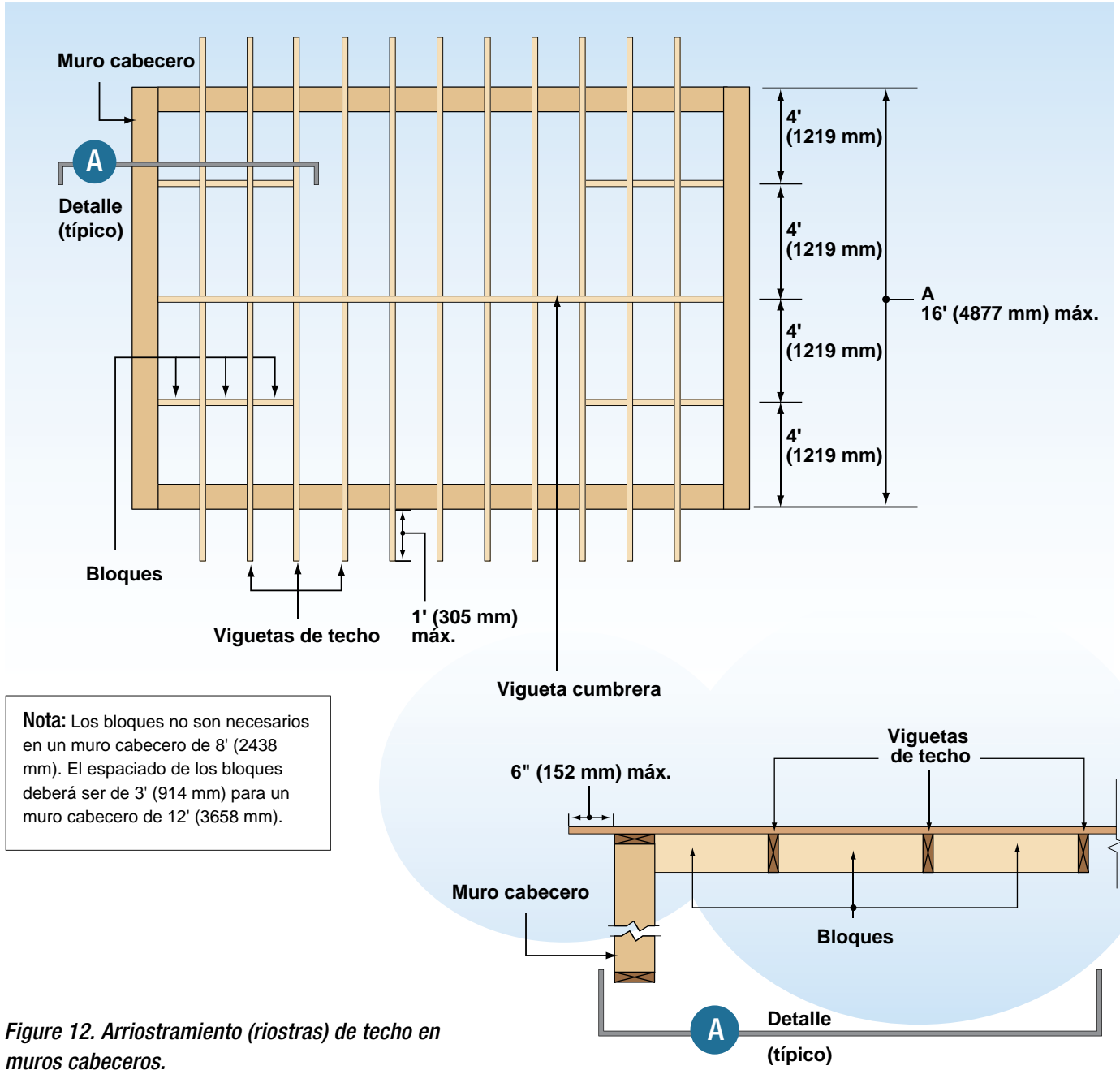


Figure 12. Arriostamiento (riostras) de techo en muros cabeceros.

# A Losa de piso con cimentación corrida

## A.1 GENERAL

Se deberán colocar cimientos continuos en todos los muros exteriores. Las zapatas y las losas de hormigón deberán vaciarse como una unidad monolítica. El tamaño máximo de la grava gruesa no deberá exceder las 3/4" (19 mm). La resistencia mínima especificada del hormigón a la compresión,  $f_c'$ , deberá ser de 2500 psi (pound per square inch, libras por pulgada al cuadrado) (17,2 MPa) en 28 días.

## A.2 REQUISITOS PARA LA CIMENTACIÓN

- **Zapatas de hormigón:** Las dimensiones mínimas de las zapatas deberán ser  $T=20"$  (508 mm) y  $A=12"$  (305 mm) como se muestra en la figura A1. Los requisitos mínimos de refuerzo en el caso de las zapatas exteriores para la resistencia de elevación exigen dos barras N° 5. La barra exterior de refuerzo de la cimentación deberá ser continua en las esquinas mediante el uso de barras esquineras o doblando la barra. El traslape mínimo de la barra deberá ser de 25" (635 mm).
- **Losas de hormigón:** Los pisos de hormigón deberán ser de losas de piso con cimentación corrida fundidas en su lugar. La parte superior de una losa con cimentación corrida monolítica deberá ser como mínimo de 8" (203 mm) sobre un nivel acabado. La losa no deberá ser de un espesor menor a 3-1/2" (89 mm). La losa deberá tener una malla de alambre soldado de 6x6 W1.4/W1.4(152x152 MW9.1/9.1) a una altura media.

## A.3 PERNOS DE ANCLAJE

Las soleras inferiores de los muros deberán anclarse a la cimentación con pernos de anclaje de 5/8" (16 mm) con un espaciado de 16" (406 mm) centro a centro o menor, y utilizando arandelas de placas de acero de 3" x 3" x 0,229" (76 mm x 76 mm x 5,8 mm) (vea la figura A1). La arandela de placas de acero deberá extenderse hasta dentro de 1/2" (13 mm) del borde lateral revestido de la solera inferior.

## A.4 ANCLAJE EN LAS ESQUINAS

Se necesita un conector de escuadra de sujeción con una capacidad de 1,685 libras (7,5 kN) en cada esquina de la edificación.

## A.5 ANCLAJE EN LAS ABERTURAS

Se necesita un conector de escuadra de sujeción con una capacidad de 1,000 libras (4,5 kN) a cada lado de una abertura para puerta (figura 5b).

### Losa de piso con cimentación corrida

Perno de anclaje y arandela de placa de 3" x 3" x 0,229" (76 mm x 76 mm x 5,8 mm). Coloque la arandela de placa a 1/2" (13 mm) del borde exterior (revestido) de la solera inferior.

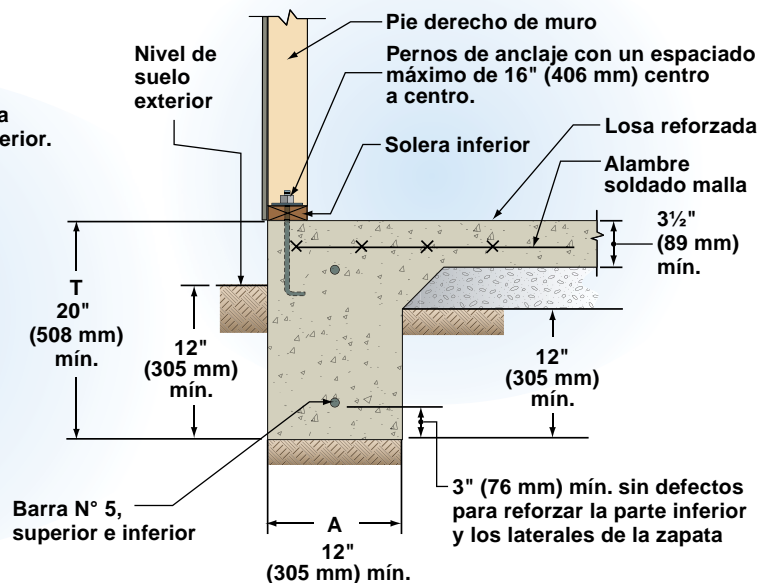
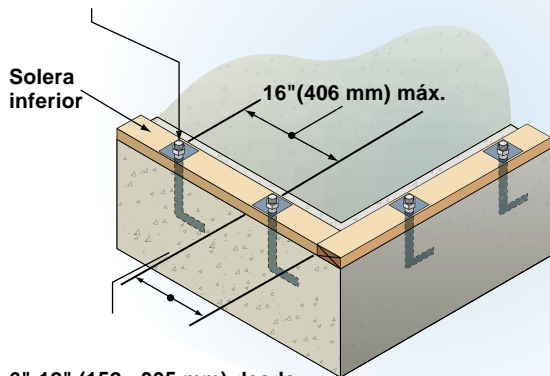


Figura A1. Requisitos de pernos de anclaje y cimentación.

# Glosario de términos

Las siguientes definiciones describen algunos de los términos utilizados en esta *Guía*.

**Alero de muros cabeceros:** proyección horizontal del techo medida desde la cara exterior del muro cabecero con gablete hasta el borde exterior del revestimiento del techo.

**Bloques:** miembros de madera que proporcionan soporte a los bordes del revestimiento.

**Claro de techo:** distancia entre la parte de afuera de los muros exteriores que soportan el ensamble del techo/cielo raso.

**Cumbrera:** línea horizontal formada por la unión de los bordes superiores de dos superficies de techo inclinadas.

**Entablado:** elementos estructurales exteriores que reciben cargas normales a su superficie.

**Escuadra de sujeción:** artefacto conector utilizado para prevenir el vuelco al ser capaz de resistir la elevación de las cuerdas (pies derechos) de los muros de corte (modulos de muros).

## Exposición al viento:

**Exposición B:** áreas urbanas y suburbanas, áreas boscosas u otros terrenos con numerosas obstrucciones cercanas entre sí del tamaño de viviendas para una familia o más grandes.

**Exposición C:** terreno abierto con obstrucciones esparcidas, incluidas ondulaciones u otras irregularidades de la superficie, de una altura generalmente menor a 30 pies (9,1 m) y con una extensión de más de 1500 pies (457 m) desde el sitio de construcción en cualquier cuadrante completo. La exposición C se prolonga a terrenos adyacentes de exposición B en la dirección del viento por una distancia de 1500 pies (457 m) o 10 veces la altura de la edificación o estructura o la que sea mayor. Esta categoría incluye el campo abierto y pastizales, y una exposición de agua abierta de menos de 1 milla (1,6 km). Se deberá asumir una exposición C a menos que el sitio cumpla con la definición de otro tipo de exposición.

**Fleje de cumbrera:** conector de metal que sujeta viguetas de techo opuestas para resistir cargas de succión sobre el techo en la cumbrera (vea también "tirante superior").

**Gablete:** porción triangular del muro cabecero debajo de un techo inclinado de doble pendiente.

**Losa de piso con cimentación corrida:** losa de hormigón que funciona como piso de la primera planta y a la cual se sujetan los muros entramados de la primera planta.

**Muro cabecero:** muro exterior de una edificación perpendicular a la cumbrera de techo y paralelo a las viguetas o armaduras de techo.

**Muro de carga:** muro que además de su propio peso soporta cargas verticales.

**Pie derecho:** elemento estructural vertical de ensambles de muros que transfiere cargas verticales y/o laterales.

**Soleras directamente encima o debajo de las aberturas:** miembro estructural horizontal por encima o por debajo de una abertura. Las soleras debajo de una abertura para ventana también se conocen como soleras inferiores de ventana.

**Planta:** porción de una estructura incluida entre la superficie superior de un piso y la del techo inmediatamente arriba.

**Relación de la pendiente:** la relación entre la dimensión de longitud de la construcción (L) y la dimensión de ancho de la construcción (A).

**Revestimiento:** recubrimiento estructural utilizado directamente sobre miembros estructurales, como pies derechos o viguetas de techo, que transfiere cargas perpendiculares al material de entramado.

**Solera inferior:** miembro horizontal de madera sujeto a la parte inferior de un muro de entramado y conectado a la losa de hormigón.

**Solera inferior de ventana:** miembro estructural horizontal debajo de una abertura (vea las figuras 4 y 6).

**Solera(s) superior(es):** miembro(s) horizontal(es) de madera sujeto(s) a la parte superior de un muro de entramado que soporta(n) armaduras, viguetas en forma de I, viguetas de techo, vigas cubiertas y otros miembros.

**Techo inclinado:** techo con una o más superficies inclinadas.

**Tirante superior:** miembro de entramado estructural ubicado en el tercio superior del espacio del ático que ata las viguetas de techo para que puedan resistir cargas de succión en la cumbrera (vea también "fleje de cumbrera").

**Viga de cubierta:** miembro de entramado estructural horizontal que soporta cargas sobre cielos rasos o áticos.

**Viga superior:** viga usada por encima de las aberturas en los muros para soportar cargas a lo largo de la abertura.

**Vigueta cumbrera:** miembro no estructural utilizado en la cumbrera de un techo para proporcionar una superficie de clavado común y un punto de soporte para viguetas de techo opuestas.

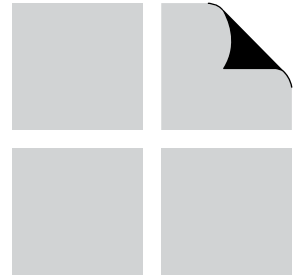
**Vigueta de alero (alero):** proyección horizontal de una vigueta de techo medida desde la cara exterior del muro hasta el borde exterior de la vigueta de techo.

**Vigueta de piso:** miembro de entramado estructural horizontal que soporta cargas sobre pisos.

**Vigueta de techo:** miembro de entramado estructural horizontal o inclinado que soporta cargas sobre el techo.

**Vía de carga continua:** interconexión de todos los elementos estructurales del sistema de resistencia de fuerzas laterales y verticales a partir de la cual se transfieren dichas fuerzas a la cimentación.

**ZONE DE VENT C EXPOSITION 241 Km/h  
CONCEPTION SISMIQUE CATÉGORIE D<sub>2</sub>**



# **GUIDE DU CONSTRUCTEUR POUR LE BASSIN DES CARAÏBES**

# **MCOB**

**MANUEL DE CONSTRUCTION  
À OSSATURE DE BOIS**

**GUIDE DE LA CONSTRUCTION EN BOIS À  
PANNEAUX PRÉFABRIQUÉS DANS LES ZONES  
À VENT FORT ET SISMIQUES**



**Guide du constructeur du bassin des Caraïbes pour la construction en bois à panneaux préfabriqués dans les zones de vent fort et sismiques – Zone de vent C Exposition 241 Km/h / Conception sismique Catégorie D<sub>2</sub>**

Première version imprimée : Juillet 2011

ISBN 978-0-9827380-1-6

Copyright © 2011 par l'American Wood Council

Tous droits réservés. Aucun extrait de cette publication ne peut être reproduit, distribué ou transmis sous quelque forme que ce soit ou par n'importe quel moyen, y compris mais sans s'y limiter, par moyen électronique, optique ou mécanique (à titre d'exemple mais sans s'y limiter, par photocopie, par enregistrement ou au moyen d'un système de récupération et de stockage de données) sans l'autorisation écrite expresse de l'American Wood Council. Pour obtenir des renseignements sur l'autorisation de reproduction des documents, veuillez contacter :

Autorisation de copyright  
American Wood Council  
info@awc.org

Imprimé aux États-Unis d'Amérique

Des parties de cette publication reproduisent extraits du *Standard for Residential Construction in High Wind Regions (ICC 600-2008)*, International Code Council. Inc., Washington D.C. États-Unis Reproduit avec permission. Tous droits réservés. [www.iccsafe.org](http://www.iccsafe.org)

# Table des matières

|                                                       |    |
|-------------------------------------------------------|----|
| <b>Introduction</b> .....                             | 1  |
| <b>1 Dispositions générales</b> .....                 | 2  |
| <b>1.1 PORTÉE</b> .....                               | 2  |
| Concepts de design.....                               | 2  |
| <b>1.2 APPLICABILITÉ</b> .....                        | 4  |
| Hauteur du bâtiment.....                              | 4  |
| Dimensions du bâtiment.....                           | 4  |
| Forme du bâtiment.....                                | 4  |
| <b>1.3 ASSEMBLAGES DE L'OSSATURE</b> .....            | 5  |
| <b>2 Fondations et ancrage des fondations</b> .....   | 6  |
| <b>2.1 GÉNÉRALITÉS</b> .....                          | 6  |
| <b>2.2 ANCRAGE AUX COINS</b> .....                    | 6  |
| <b>2.3 ANCRAGE AUX OUVERTURES</b> .....               | 6  |
| <b>3 Planchers en bois</b> .....                      | 7  |
| <b>3.1 GÉNÉRALITÉS</b> .....                          | 7  |
| <b>3.2 EXIGENCES POUR LES PLANCHERS EN BOIS</b> ..... | 7  |
| <b>3.3 CONSTRUCTION DE PLANCHER EN BOIS</b> .....     | 7  |
| <b>4 Murs</b> .....                                   | 8  |
| <b>4.1 GÉNÉRALITÉS</b> .....                          | 8  |
| <b>4.2 EXIGENCES POUR LES MURS EXTÉRIEURS</b> .....   | 8  |
| <b>4.3 CONSTRUCTION DES MURS LATÉRAUX</b> .....       | 8  |
| <b>4.4 FEUILLARD DE MUR D'EXTRÉMITÉ</b> .....         | 9  |
| <b>4.5 OUVERTURES MURALES</b> .....                   | 10 |
| <b>4.6 ENCOCHAGE ET ALÉSAGE DES POTEAUX</b> .....     | 10 |
| <b>5 Toits</b> .....                                  | 13 |
| <b>5.1 GÉNÉRALITÉS</b> .....                          | 13 |
| <b>5.2 EXIGENCES POUR LE TOIT</b> .....               | 13 |
| <b>5.3 CONSTRUCTION DU TOIT</b> .....                 | 13 |
| <b>A Fondations dalle sur sol</b> .....               | 16 |
| <b>A.1 GÉNÉRALITÉS</b> .....                          | 16 |
| <b>A.2 EXIGENCES DES FONDATIONS</b> .....             | 16 |
| <b>A.3 BOULONS D'ANCRAGE</b> .....                    | 16 |
| <b>A.4 ANCRAGE AUX COINS</b> .....                    | 16 |
| <b>A.5 ANCRAGE AUX OUVERTURES</b> .....               | 16 |
| <b>Glossaire des termes</b> .....                     | 17 |

**TABLEAUX**

|                   |                                             |   |
|-------------------|---------------------------------------------|---|
| <b>Tableau 1.</b> | Dimensions de bâtiment autorisées. ....     | 4 |
| <b>Tableau 2.</b> | Tableau général de clouage. ....            | 5 |
| <b>Tableau 3.</b> | Charges d'ancrage de fondations (plf). .... | 6 |
| <b>Tableau 4.</b> | Dimensions des solives de plancher. ....    | 7 |

**FIGURES**

|                   |                                                                                              |    |
|-------------------|----------------------------------------------------------------------------------------------|----|
| <b>Figure 1.</b>  | Ossature maîtresse du bâtiment. (Uniquement à des fins d'illustration) .....                 | 3  |
| <b>Figure 2.</b>  | Dimensions du bâtiment (avec les surplombs de toit illustrés). ....                          | 4  |
| <b>Figure 3.</b>  | Exigences pour les boulons d'ancrage et les fondations. ....                                 | 6  |
| <b>Figure 4.</b>  | Solives de plancher en bois de sciage et limites d'encochage et d'alésage des chevrons. .... | 7  |
| <b>Figure 5.</b>  | Modules de mur latéral. ....                                                                 | 9  |
| <b>Figure 6.</b>  | Limites d'encochage et d'alésage des poteaux. ....                                           | 10 |
| <b>Figure 7.</b>  | Modules de mur d'extrémité avec ouvertures pour les fenêtres et les portes. ....             | 11 |
| <b>Figure 8.</b>  | Sablère de mur latéral. ....                                                                 | 12 |
| <b>Figure 9.</b>  | Chevêtre de mur latéral. ....                                                                | 12 |
| <b>Figure 10.</b> | Surplomb de mur d'extrémité. ....                                                            | 12 |
| <b>Figure 11.</b> | Système de toiture. ....                                                                     | 14 |
| <b>Figure 12.</b> | Contreventement du toit au mur d'extrémité. ....                                             | 15 |
| <b>Figure A1.</b> | Exigences des boulons d'ancrage et des fondations. ....                                      | 16 |

# Introduction

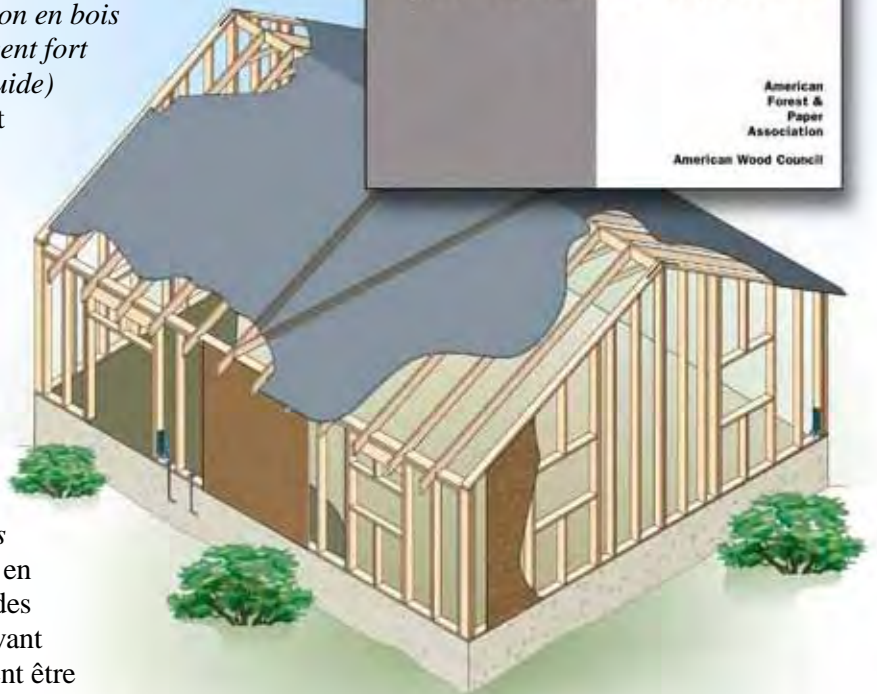
Ce *guide* a été élaboré suite au séisme de 2010 en Haïti. Il a été reconnu que la construction légère en bois correctement conçue et mise en place pouvait constituer une approche très efficace pour résister aux séismes et aux charges de vent élevées pour les pays situés dans des régions sismiquement actives et à vent fort. Le besoin urgent en abris et en exigences de conception adéquates dans la région demande l'utilisation de bâtiments à ossature de bois simples et plus petits. Une fois construits, ces bâtiments peuvent offrir un abri permanent. De plus, afin de favoriser une construction simple et rapide, toutes les mesures ont été prises pour modulariser la construction.

*Le Guide du constructeur pour la construction en bois à panneaux préfabriqués dans les zones de vent fort et sismiques pour le bassin des Caraïbes (Guide)*

est fourni afin de simplifier la construction et la conception des bâtiments à ossature de bois dans les zones où les exigences de conception relatives à la vitesse du vent ne dépassent pas la catégorie d'exposition C à 150 milles par heure, mph (241 kilomètres par heure, km/h) et où les exigences de conception relatives à l'activité sismique ne dépassent pas la catégorie de conception sismique D<sub>2</sub>. Ce *guide* est également conforme au *MCOB-2001 Manuel de construction en ossature de bois (MCOB) pour les logements unifamiliaux et bifamiliaux* de l'AF&PA cité en référence par l'*International Building Code* des États-Unis. De fait, toute conception se trouvant en conformité avec ce *guide* devrait également être entièrement conforme au *MCOB*. Les dispositions de ce *guide* sont axées sur l'intégrité structurelle en vue de résister aux charges du vent et sismiques (non simultanées). De plus, ce *guide* indique des dispositions de conception de base pour résister aux surcharges des planchers et des toits. Ce *guide* ne traite spécifiquement d'aucune autre condition de charge. Ces conditions de charge supplémentaires doivent être considérées comme requises par le code de la construction et elles font l'objet d'explications dans le *MCOB*.

Les conceptions et les détails de fondation fournis dans ce *guide* sont conformes à la *Norme pour la construction résidentielle dans les régions de vent fort* de l'International Code Council (ICC 600-2008).

Les informations contenues dans ce *guide* ont été fournies avec une diligence appropriée et sont fournies à l'intention des architectes, des constructeurs, des concepteurs, des fonctionnaires du code, des formateurs et autres personnes s'intéressant à la conception simplifiée. Ce *guide* ne vise pas à fournir des instructions pour tous les aspects ou les techniques en matière d'ossature ou de conception adéquates. Lors de l'élaboration des dispositions de ce *guide* à l'aide des dispositions du *MCOB*, les données les plus fiables disponibles à partir des tests en laboratoire et de l'expérience acquise dans les structures en service ont été évaluées avec le plus grand soin dans le but de fournir une norme d'usage uniforme. Ce document doit être utilisé de pair avec une conception d'ingénierie compétente, une fabrication exacte et une supervision adéquate de la construction. AF&PA n'assume donc aucune responsabilité en cas d'erreur ou d'omission dans ce *guide*, dans le *MCOB*, ou dans les conceptions d'ingénierie ou plans préparés à partir de celui-ci.



# 1 Dispositions générales

## 1.1 PORTÉE

Ce *guide* établit un ensemble d'exigences normatives en matière de structures résistant aux séismes pour les bâtiments résidentiels à ossature de bois dont les dimensions et les formes sont indiquées dans la section « Applicabilité » (1.2) de ce chapitre. Les dispositions de ce *guide* sont axées sur l'intégrité structurelle en vue de résister aux charges du vent, aux charges sismiques et aux surcharges des toits. De plus, les dispositions de ce *guide* se basent sur les dispositions se trouvant dans le *Manuel de construction en ossature de bois 2001 pour les logements unifamiliaux et bifamiliaux (MCOB)* de l'ANSI/AF&PA.

Les exigences de charge de vent de ce *guide* se basent sur une vitesse du vent en rafale de 3 secondes de 150 mph (241 km/h) pour les bâtiments situés dans les emplacements d'exposition C. Les exigences de charge sismique se basent sur la catégorie de conception sismique D<sub>2</sub>. Les exigences de charge de vent et sismique se basent sur les dispositions des *charges de conception minimales ASCE 7 pour les bâtiments et autres structures*. Les exigences de charge verticale se basent sur une charge permanente du mur de 18 psf (0,9 kN/m<sup>2</sup>), une charge permanente du toit de 15 psf (0,7 kN/m<sup>2</sup>) et une surcharge du toit de 20 psf (1,0 kN/m<sup>2</sup>).

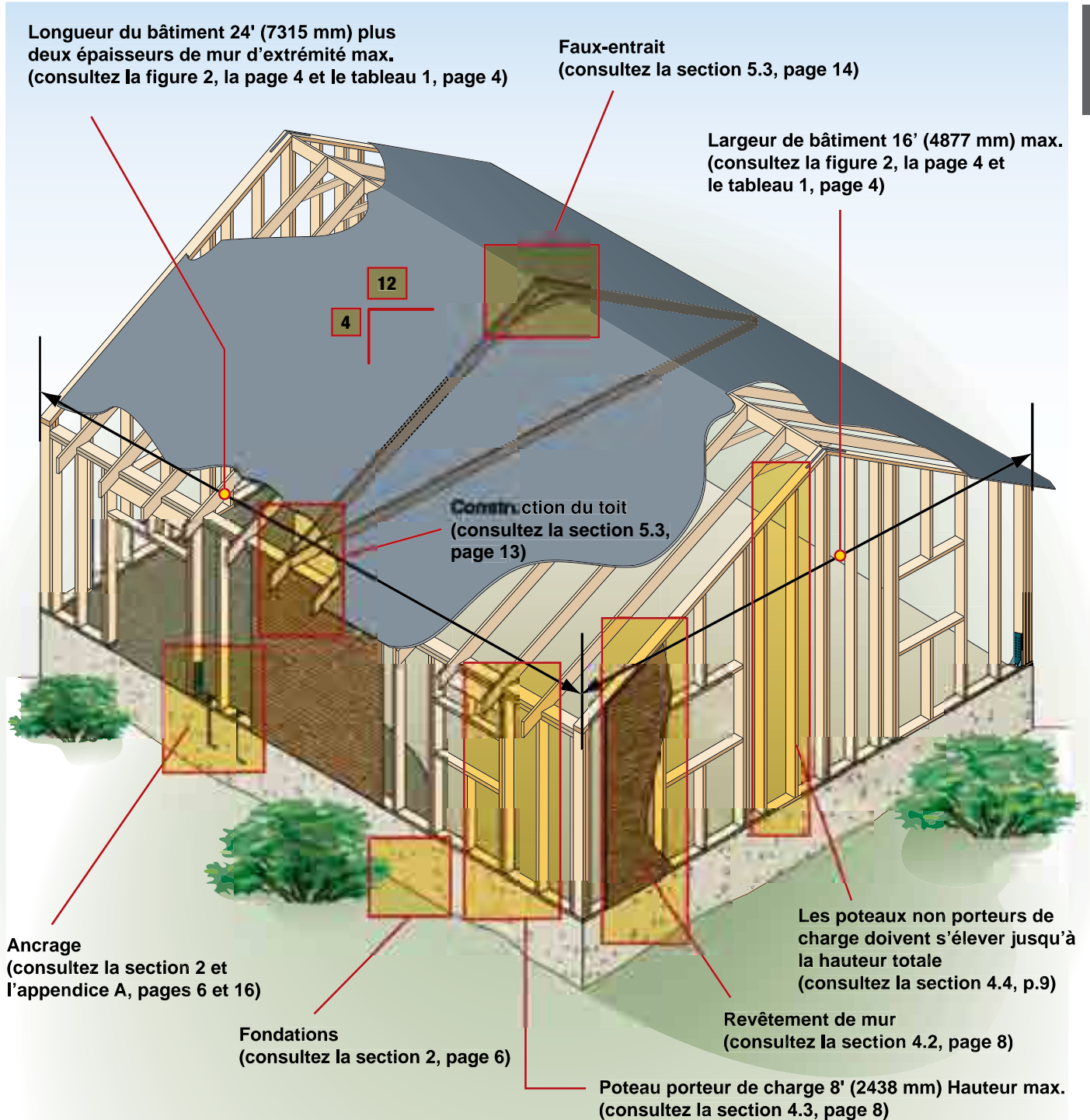
Les dispositions de ce *guide* ne visent pas à empêcher l'utilisation d'autres méthodes ou matériaux de construction. Les éléments structurels qui ne sont pas conformes aux conditions contenues dans ce *guide* doivent être conçus, ou lorsque des méthodes alternatives sont employées, les charges et capacités de conception doivent être déterminées conformément au *MCOB* ou au code du bâtiment applicable.

### Concepts de design

Ce *Guide* s'appuie sur les concepts suivants :

- Les toits sont conçus comme des diaphragmes recevant des charges latérales du toit et des murs extérieurs (avec des vents ou des séismes venant de n'importe quelle direction) et transférant ces charges aux murs de cisaillement.
- Les murs extérieurs sont conçus pour résister et transférer les forces latérales vers les fondations. Les murs extérieurs, les fondations et les connexions sont conçus pour résister aux charges latérales et de soulèvement reçues au moyen d'un cheminement des charges continues.
- À l'exception des ouvertures, les murs extérieurs sont conçus comme étant entièrement revêtus par des panneaux structurels en bois, y compris dans les zones au-dessus et au-dessous des ouvertures. La hauteur des murs porteurs a une limite de 8' (2438 mm).
- La hauteur des ouvertures de porte ne doit pas dépasser 6'-8" (2032 mm).
- La hauteur des ouvertures de fenêtre ne doit pas dépasser 2'-8" (813 mm).
- Les exigences de vent indiquées dans ce *guide* se basent sur des bâtiments entièrement clos dont les ouvertures sont conçues pour les charges de vent appropriées. **Pendant les épisodes de vent fort, la protection des ouvertures doit être assurée afin de maintenir une enveloppe du bâtiment entièrement fermée.**
- Les dispositions en matière de fondations indiquées dans ce *guide* sont conçues pour des dimensions de bâtiment spécifiques. Les fondations, dont le soulèvement et l'ancrage, doivent être construites conformément à ces dispositions ainsi qu'à toute exigence supplémentaire du code du bâtiment applicable.



**REMARQUE****Cheminement des charges continues.**

L'interconnexion de tous les éléments de l'ossature est critique dans un bâtiment résistant aux séismes et au vent. Un cheminement des charges continues pour les éléments de l'ossature interconnectés doit être prévu des fondations aux murs et au toit.

Figure 1. Ossature maîtresse du bâtiment.  
(Uniquement à des fins d'illustration)

- On part du principe que l'ossature de bois et les revêtements utilisés dans ces bâtiments sont protégés contre les termites au moyen d'un traitement termiticide chimique agréé. Le traitement termiticide chimique doit inclure un traitement du sol et/ou un traitement de bois appliqué sur le terrain. La concentration, le taux d'application et la méthode de traitement doivent être strictement conformes aux indications de l'étiquette du termiticide.
- L'ossature de bois en contact avec les fondations en béton ou en maçonnerie doit être naturellement durable ou en bois traité par un agent conservateur.
- Lorsque cela s'avère nécessaire en raison de la corrosivité d'un type spécifique de traitement par agent conservateur, les attaches et les connecteurs en contact avec le bois traité par un agent conservateur doivent être en acier galvanisé par immersion chaude, en acier inoxydable, en bronze au silicium ou en cuivre. Les types et poids des revêtements pour les connecteurs en contact avec le bois traité par un agent conservateur doivent être conformes aux recommandations du fabricant des connecteurs.

## 1.2 APPLICABILITÉ

### Hauteur du bâtiment

- Le bâtiment ne doit pas dépasser un étage au-dessus des fondations. La hauteur moyenne du toit, mesurée à partir du niveau moyen du sol jusqu'à l'élévation moyenne du toit, ne doit pas dépasser 25' (7620 mm).
- La hauteur des murs porteurs a une limite de 8' (2438 mm).
- Les toits doivent avoir une pente de toit de 4 sur 12.

### Dimensions du bâtiment

- Ce *guide* se limite aux combinaisons spécifiques des dimensions de bâtiment indiquées dans le tableau 1.
- La longueur de bâtiment maximale (L) dans la direction parallèle au faîte ne doit pas dépasser 24' (7315 mm), plus l'épaisseur des deux murs d'extrémité 2x6.
- La largeur de bâtiment maximale (W) dans la direction perpendiculaire au faîte ne doit pas dépasser 16' (4877 mm), et elle ne doit pas dépasser la longueur du bâtiment. Consultez la figure 2.

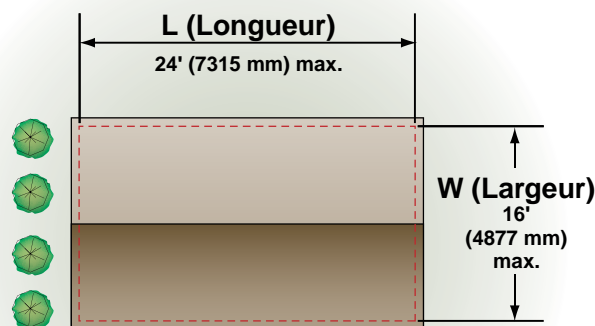


Figure 2. Dimensions du bâtiment  
(avec les surplombs de toit illustrés).

### Forme du bâtiment

- **Bâtiments rectangulaires.** Les dispositions en matière de conception dans ce *guide* partent du principe que les bâtiments sont de forme rectangulaire.
- **Bâtiments non rectangulaires.** Les bâtiments non rectangulaires n'entrent pas dans le cadre de ce *guide*. Pour les conditions dans lesquelles des bâtiments non rectangulaires doivent être conçus, le *MCOB* doit être utilisé.

Tableau 1. Dimensions de bâtiment autorisées.

|                                                        |           |            |            |            |            |            |
|--------------------------------------------------------|-----------|------------|------------|------------|------------|------------|
| Largeur du bâtiment (W), ft (mm)                       | 8 (2438)  | 12 (3658)  | 12 (3658)  | 16 (4877)  | 16 (4877)  | 16 (4877)  |
| Longueur du bâtiment (L), ft (mm)                      | 12 (3658) | 12 (3658)  | 16 (4877)  | 16 (4877)  | 20 (6096)  | 24 (7315)  |
| Surface du bâtiment, ft <sup>2</sup> (m <sup>2</sup> ) | 96 (8,9)  | 144 (13,4) | 192 (17,8) | 256 (23,8) | 320 (29,7) | 384 (35,7) |

Remarque : Les longueurs réelles du bâtiment seront les dimensions indiquées dans le tableau 1, plus l'épaisseur des deux murs d'extrémité 2x6.

### 1.3 ASSEMBLAGES DE L'OSSATURE

Les assemblages généraux de l'ossature doivent être conformes aux exigences du tableau 2. Les connexions spécifiques requises pour la construction résistant aux séismes et au vent sont fournies dans les descriptions d'assemblage dans d'autres sections de ce *guide*.

Tableau 2. Tableau général de clouage.

| Description des joints                                                                | Nombre de clous ordinaires | Nombre de clous fins à tête plate | Espacement des clous                                   |
|---------------------------------------------------------------------------------------|----------------------------|-----------------------------------|--------------------------------------------------------|
| <b>Ossature et revêtement du toit</b>                                                 |                            |                                   |                                                        |
| Calage au chevron (cloué en biais)                                                    | 2- 8d                      | 2-10d                             | chaque extrémité                                       |
| Solive de rive au chevron (cloué en extrémité)                                        | 2-16d                      | 3-16d                             | chaque chevron                                         |
| Chevron à sablière (cloué en biais)                                                   | 3-16d                      | 4-16d                             | chaque chevron                                         |
| Calage à sablière (cloué en biais)                                                    | 2-16d                      | 3-16d                             | chaque calage                                          |
| Chevron à solive de plafond sur les murs latéraux                                     | 5-16d                      | 7-16d                             | chaque extrémité                                       |
| Revêtement aux chevrons avec un espacement de 16" (406 mm) o.c.                       | 8d                         | 10d                               | arête de 4" (102 mm)/<br>espace de 4" (102 mm)         |
| Revêtement à sablière du mur pignon                                                   | 8d                         | 10d                               | arête de 3" (76 mm)/espace<br>de 3" (76 mm)            |
| Revêtement au calage sur le mur latéral                                               | 8d                         | 10d                               | arête de 3" (76 mm)/espace<br>de 3" (76 mm)            |
| <b>Ossature et revêtement du plancher</b>                                             |                            |                                   |                                                        |
| Solive à lisse, sablière ou poutrelle (cloué en biais)                                | 4- 8d                      | 4-10d                             | par solive                                             |
| Calage à solive (cloué en biais)                                                      | 2- 8d                      | 2-10d                             | par extrémité                                          |
| Calage à solive ou sablière (cloué en biais)                                          | 3-16d                      | 4-16d                             | chaque calage                                          |
| Solive de rive à solive (cloué en extrémité)                                          | 3-16d                      | 3-16d                             | par solive                                             |
| Solive de rive à solive ou sablière (cloué en biais)                                  | 2-16d                      | 3-16d                             | par pied (305 mm)                                      |
| Revêtement aux solives                                                                | 8d                         | 10d                               | aux rives de 6" (152 mm)/<br>au centre de 12" (305 mm) |
| <b>Ossature et revêtement du mur</b>                                                  |                            |                                   |                                                        |
| Plaque à chaque poteau (cloué en extrémité)                                           | 3-16d                      | NA                                | chaque poteau                                          |
| Poteau à plaque 2x et au-dessous des ouvertures du mur (cloué en extrémité)           | 3-16d                      | 4-16d                             | Joints - chaque côté                                   |
| Sablière supérieure à sablière inférieure                                             | 2-16d                      | 3-16d                             | 6" (152 mm) o.c.                                       |
| Poteau à poteau sur plusieurs poteaux et entre les modules de mur (cloué sur la face) | 2-16d                      | 3-16d                             | 12" (305 mm) o.c.<br>le long des bordures              |
| Revêtement mural à chaque poteau et sablière (centre et rive)                         | 8d                         | 10d                               | 6" (152 mm) o.c.                                       |
| Revêtement mural à sablière et lisse basse du mur d'extrémité                         | 8d                         | 10d                               | 2 rangées @ 4" (102 mm) o.c.<br>décalées               |
| Revêtement mural aux lisses basses du mur latéral                                     | 8d                         | 10d                               | 2 rangées @ 4" (102 mm) o.c.<br>décalées               |

**Clous.** Sauf en cas d'indication contraire, les dimensions données des clous sont celles de clous ordinaires. Les clous pneumatiques de diamètre équivalent et de longueur égale ou supérieure aux clous ordinaires ou aux clous fins à tête plate demandés peuvent être remplacés, sauf en cas d'interdiction explicite. Diamètres des clous ordinaires : 8d = 0,131" (3,33 mm) ; 16d = 0,162" (4,11 mm). Diamètres des clous fins à tête plate : 10d = 0,128" (3,25 mm) ; 16d = 0,135" (3,43 mm).



## 2 Fondations et ancrage des fondations

### 2.1 GÉNÉRALITÉS

La maison doit être ancrée au système de fondations afin de résister aux charges décrites dans le tableau 3 et selon les exigences d'ancrage décrites dans les sections 2.2 et 2.3. Consultez la figure 3 et l'appendice pour le système de fondations.

Tableau 3. Charges d'ancrage de fondations (livres par pied linéaire).

| Soulèvement | Latéral | Cisaillement |
|-------------|---------|--------------|
| 420         | 370     | 230          |

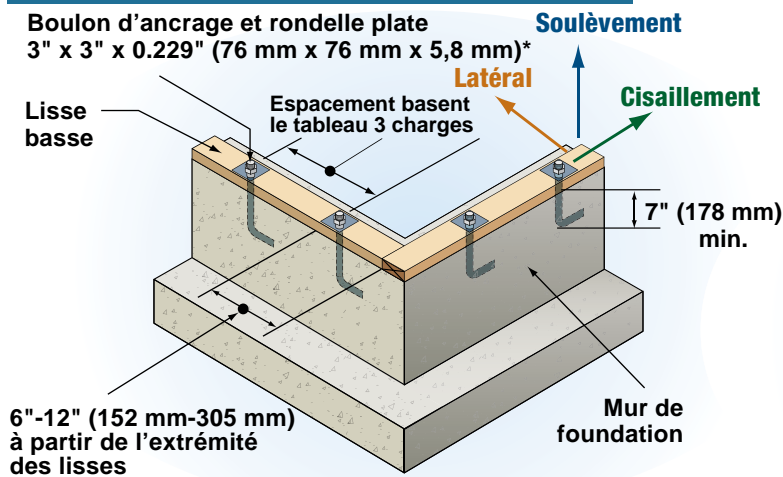
### 2.2 ANCRAGE AUX COINS

Un connecteur d'ancrage d'une capacité de 1,685 livres (7,5 kN) est requis à chaque coin du bâtiment.

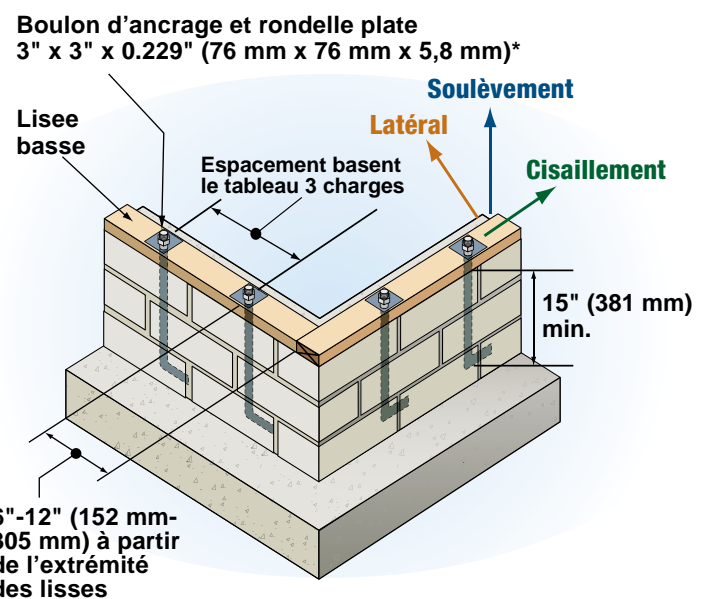
### 2.3 ANCRAGE AUX OUVERTURES

Un connecteur d'ancrage d'une capacité de 1,000 livres (4,5 kN) est requis de chaque côté d'une ouverture de porte. Les ancrages sont illustrés de chaque côté de la porte dans la figure 5b.

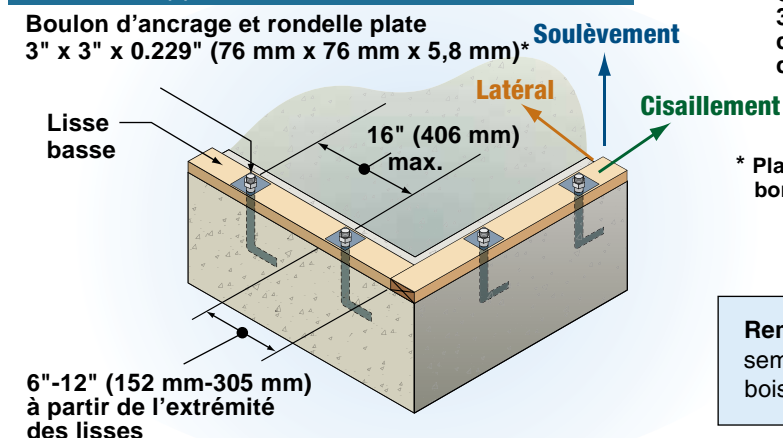
#### (a) Fondations en sous-sol ou à mur sans semelle



#### (b) Les fondations en béton ou en maçonnerie



#### (c) Fondations dalle sur sol



\* Placer la rondelle en acier plate à 1/2" (13 mm) de la bordure extérieure de la lisse basse revêtu

**Remarque :** Les fondations en sous-sol ou à mur sans semelle s'utilisent pour les systèmes de plancher en bois comme décrit dans le chapitre 3.

Figure 3. Exigences pour les boulons d'ancrage et les fondations.

## 3 Planchers en bois

### 3.1 GÉNÉRALITÉS

Des informations précises sont fournies pour que l'ossature du plancher résiste aux charges verticales et latérales spécifiques. L'ossature du plancher n'a pas été modularisée en raison de facteurs liés au poids et à la manutention. Le poids d'un système typique de plancher en bois a été considéré dans le cadre de l'analyse sismique.

### 3.2 EXIGENCES POUR LES PLANCHERS EN BOIS

- **Bois d'ossature.** Toutes les solives de plancher doivent être d'une classe minimale n° 2 (cela inclut le Douglas-mélèze, le pruche-sapin, le pin du sud et l'épinette-pin-sapin) conformément au tableau 4.

Tableau 4. Dimensions des solives de plancher.

| Portée du plancher |              |               |               |
|--------------------|--------------|---------------|---------------|
| 6' (1828 mm)       | 8' (2438 mm) | 12' (3657 mm) | 16' (4876 mm) |
| 2x6                | 2x6          | 2x8           | 2x12          |

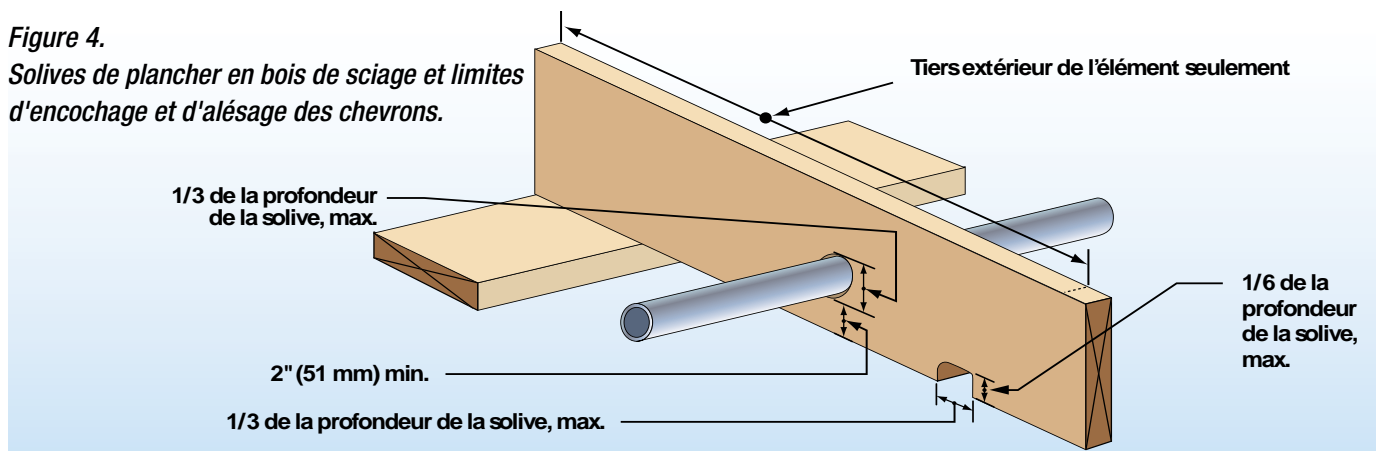
- **Revêtement du sol.** Les planchers doivent être entièrement recouverts d'un revêtement à panneaux structuraux en bois d'un minimum de 19/32" (15 mm) et fixé selon le tableau 2. Le revêtement doit être installé avec le fil du de bois de la face perpendiculaire aux solives.
- **Clouage.** Le clouage typique est indiqué dans le tableau 2.

### 3.3 CONSTRUCTION DE PLANCHER EN BOIS

- **Direction des solives de plancher.** Les solives de plancher doivent être installées parallèlement aux chevrons et aux solives de plafond.
- **Contreventement du plancher au mur d'extrémité.** Le calage et les connexions doivent être fournies au niveau des bordures de panneau de façon perpendiculaire aux membres de l'ossature du plancher dans les deux premiers espaces de solive, et ils doivent présenter un espacement maximal de 4' (1219 mm) de centre à centre (consultez la figure 12, détail A pour le concept). Les exigences en matière de clouage sont indiquées dans le tableau 2.
- **Encochage et alésage des solives de plancher.** Les encoches dans les rives supérieures ou inférieures des solives de plancher ne doivent pas être coupées dans le tiers du milieu de l'élément. Les encoches dans les tiers extérieurs de l'élément ne doivent pas dépasser un sixième de la profondeur réelle du membre. Lorsque les encoches sont faites au point d'appui des solives, elles ne doivent pas dépasser un quart de la profondeur réelle du membre. Le diamètre des trous alésés est limité à un tiers de la profondeur réelle du membre, et la bordure du trou ne doit pas se situer à moins de 2" (51 mm) des rives supérieures ou inférieures (consultez la figure 4).

Figure 4.

Solives de plancher en bois de sciage et limites d'encochage et d'alésage des chevrons.



## 4 Murs

### 4.1 GÉNÉRALITÉS

Les détails sont fournis pour que les modules des murs extérieurs résistent aux charges spécifiques. Les finitions intérieures n'ont pas été prises en compte pour la capacité de support de charge structurale ; cependant, le poids d'une finition intérieure typique, telle qu'un panneau de gypse de ½" (13 mm), a été considéré dans l'analyse sismique. De même, le poids d'une finition extérieure typique, telle que le stuc, a également été considéré dans l'analyse sismique.

Les murs intérieurs n'ont pas été considérés, mais ils peuvent être ajoutés par l'utilisateur final en fonction de ses besoins. Les matériaux des murs intérieurs, les méthodes d'ossature et les connexions doivent être indiqués par l'utilisateur final.

### 4.2 EXIGENCES POUR LES MURS EXTÉRIEURS

- **Hauteurs des murs.** La hauteur des murs (porteurs) latéraux ne doit pas dépasser 8' (2438 mm) (consultez la figure 4). Les murs (non porteurs) d'extrémité doivent être munis d'une ossature à poteaux à hauteur totale.
- **Poteaux en bois.** Les poteaux de mur doivent être au minimum en bois de qualité pour poteau de 2x6 (38 mm x 140 mm) (cela inclut le Douglas-mélèze, le pruche-sapin, le pin du sud et l'épinette-pin-sapin).
- **Espacement des poteaux de mur.** Les poteaux des murs (porteurs) latéraux doivent présenter un espacement de 16" (406 mm) de centre à centre ou moins. Les poteaux de mur (non porteurs) d'extrémité doivent présenter un espacement de 16" (406 mm) de centre à centre ou moins, sauf les poteaux de plus de 10' (3048 mm) de longueur, qui doivent présenter un espacement de 12" (305 mm) de centre à centre ou moins. Consultez les figures 5 et 7 pour les détails spécifiques.
- **Continuité des poteaux.** Les poteaux doivent être continus entre les supports horizontaux (p.ex. les assemblages de dalle sur sol et de diaphragme de toit). Les poteaux pour les murs pignons doivent être continus du sol au diaphragme du toit.
- **Revêtement mural extérieur.** Les murs extérieurs doivent être entièrement recouverts d'un revêtement à panneaux structurels en bois d'un minimum de 19/32" (15 mm) et fixé selon le tableau 2. Le revêtement extérieur doit être continu de la lisse basse à la sablière supérieure, avec toutes les rives des panneaux supportées par l'ossature.
- **Clouage.** Le clouage typique est indiqué dans le tableau 2. Les clouages spécifiques sont indiqués dans les figures.
- **Bardage mural extérieur.** Le bardage mural extérieur doit être classé pour une vitesse de vent d'exposition C en rafale de 3 secondes de 150 mph (241 km/h) et il doit être installé conformément aux instructions du fabricant.

### 4.3 CONSTRUCTION DES MURS LATÉRAUX

Les murs latéraux sont construits en modules à porte et fenêtre longs de 8' (2438 mm). De plus, des modules de remplissage longs entièrement revêtus de 4' (1219 mm) sont disponibles pour offrir une certaine souplesse. Consultez la figure 5 pour les configurations autorisées. Les modules de mur latéral de huit pieds (2438 mm) et de 4' (1219 mm) sont combinés pour obtenir les longueurs de bâtiment autorisées dans le tableau 1. Veuillez noter qu'un seul module à porte est permis par mur latéral. Il est permis d'ajouter des ouvertures de fenêtre aux modules de remplissage de 4' (1219 mm) comme la figure 5c l'indique.

- **Construction de sablière pour mur latéral.** Des sablières doubles doivent être fournies sur la partie supérieure de tous les murs latéraux extérieurs. La première sablière (inférieure) est d'abord installée pendant la construction des modules, puis attachée à tous les poteaux muraux à l'aide de clous en extrémité comme indiqué dans le tableau 2. La deuxième sablière (supérieure) est ensuite installée sur le terrain, et les joints de cette sablière se font directement au-dessus d'un poteau en offrant un assemblage à mi-bois d'au minimum 48" (1219 mm) avec des joints dans la lisse basse (consultez la figure 8). Le clouage en face de sablière à sablière est indiqué dans le tableau 2. Clouez le revêtement mural à la sablière supérieure sur le terrain selon le tableau 2.
- **Ancrage aux ouvertures de porte.** Les ancrages doivent être installés selon la section 2.3.

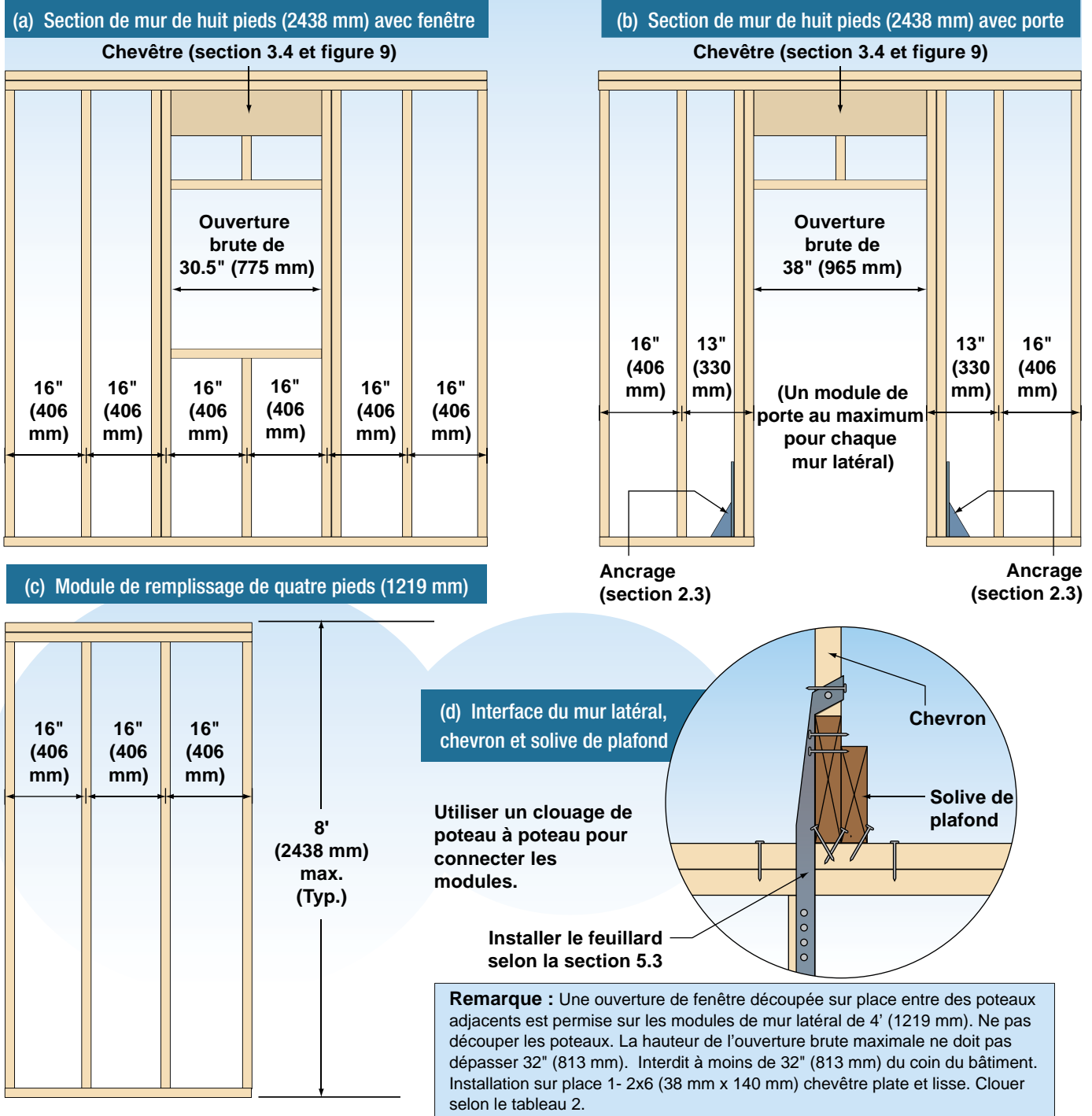


Figure 5. Modules de mur latéral.

## 4.4 FEUILLARD DE MUR D'EXTRÉMITÉ

Les murs d'extrémité sont construits en modules de 4' (1219 mm) et de 8' (2438 mm), et ils sont combinés pour obtenir les largeurs de bâtiment autorisées dans le tableau 1. Consultez les modules de mur d'extrémité autorisés dans la figure 7.

- **Feuillards de mur d'extrémité au faîte.** Là où les modules de mur d'extrémité se rencontrent au faîte, un feuillard en acier d'une capacité en traction de 400 livres (1,8 kN) doit être installé sur l'intersection et appliqué sur le revêtement du toit et directement à la sablière de chaque module. Le feuillard doit être centré sur l'intersection de deux modules.

- **Ancrages.** Un ancrage doit être installé selon la section 2.2 à chaque extrémité de chaque mur d'extrémité. Chaque ancrage est utilisé pour résister aux forces de soulèvement dues au renversement pour les murs d'extrémité et les murs latéraux. L'ossature aux coins des intersections des murs doit être attachée pour transférer ces charges de soulèvement (consultez le détail A dans la figure 7).

#### 4.5 OUVERTURES MURALES

Les dimensions et emplacements autorisés pour les ouvertures murales sont indiqués dans les modules de mur d'extrémité et latéral (consultez les figures 5 et 7). Tous les matériaux d'ossature autour des ouvertures murales (notamment les chevêtres, les plaques et les poteaux à hauteur totale) doivent satisfaire aux mêmes exigences que les poteaux de mur typiques.

- **Poteaux à hauteur totale.** Des poteaux doubles à hauteur totale doivent être fournis de chaque côté de chaque ouverture (figures 5a, 5c, 7a, et 7b). Le clouage de plaque à poteaux est indiqué dans le tableau 2. Fixez le revêtement mural aux poteaux à hauteur totale selon le tableau 2.
- **Chevêtres.** Les chevêtres des murs latéraux doivent être fabriqués à l'aide de trois membres 2x6 (38 mm x 140 mm) (avec des entretoises solides de 1/2" x 5,5" (12 mm x 140 mm)) comme illustré dans la figure 9, et elles doivent être installées directement au-dessous de la sablière de mur. Les chevêtres de mur latéral sont fixés aux poteaux à hauteur totale à l'aide de clous d'extrémité 3-16d, à l'extrémité de chaque 2x6 (38 mm x 140 mm) sur la chevêtre. Les murs d'extrémité n'utilisent qu'une seule plaque horizontale 2x6 (38 mm x 140 mm) comme indiqué ci-dessous.
- **Plaques directement au-dessus ou au-dessous des ouvertures.** Installez une seule plaque horizontale 2x6 (38 mm x 140 mm) à plat selon les besoins. Fixez la plaque aux poteaux à hauteur complète à l'aide de clous d'extrémité 3-16d à l'extrémité de chaque plaque. Attachez le revêtement mural à toutes les plaques selon le tableau 2. Fixez les poteaux au-dessus et au-dessous des ouvertures aux plaques à l'aide de clous d'extrémité 2-16d ou de clous en biais à chaque extrémité du poteau.

#### 4.6 ENCOCHAGE ET ALÉSAGE DES POTEAUX

Les encoches de chaque côté des poteaux ne doivent pas se situer dans le tiers du milieu de la longueur des poteaux. Les encoches dans les tiers extérieurs de la longueur des poteaux ne doivent pas dépasser 25 % de l'épaisseur réelle du poteau. Les trous alésés ne doivent pas dépasser 40 % de l'épaisseur réelle du poteau pour un poteau unique, ou 60 % de l'épaisseur réelle du poteau lorsqu'il s'agit de poteaux doubles. Les trous alésés ne doivent pas se situer à moins de 5/8" (16 mm) de la bordure du poteau. Les encoches et les trous ne doivent pas se faire dans la même coupe transversale (consultez la figure 6).

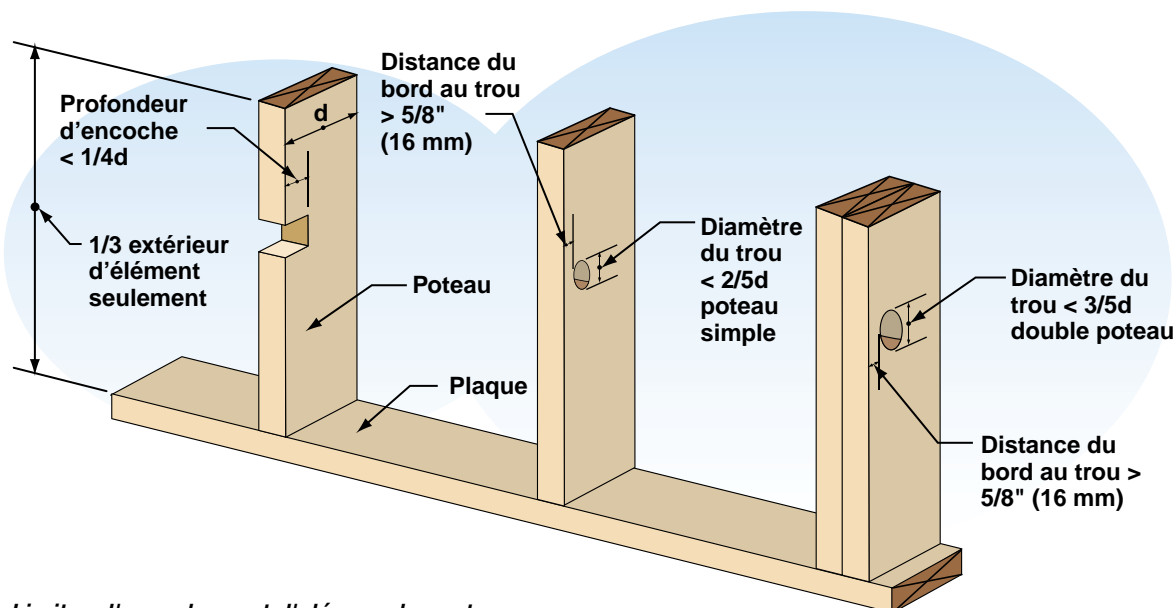
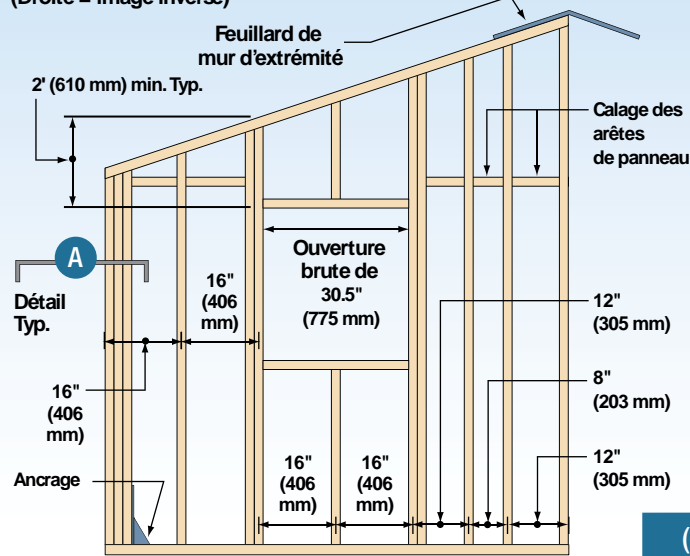


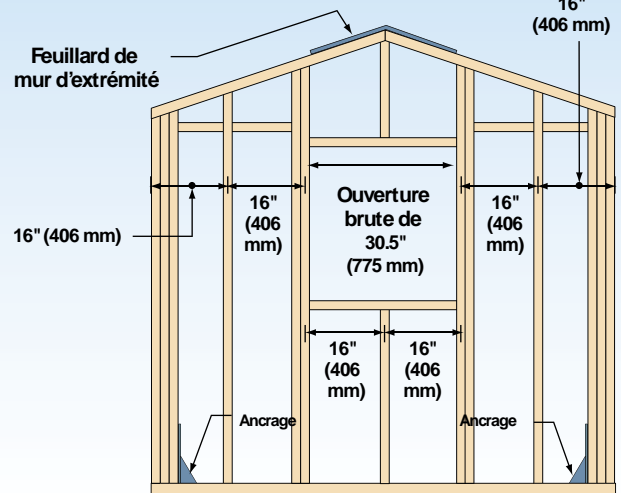
Figure 6. Limites d'encochage et d'alésage des poteaux.

(a) Moitié gauche du mur d'extrémité de 16' (4877 mm)

(Droite = image inverse)

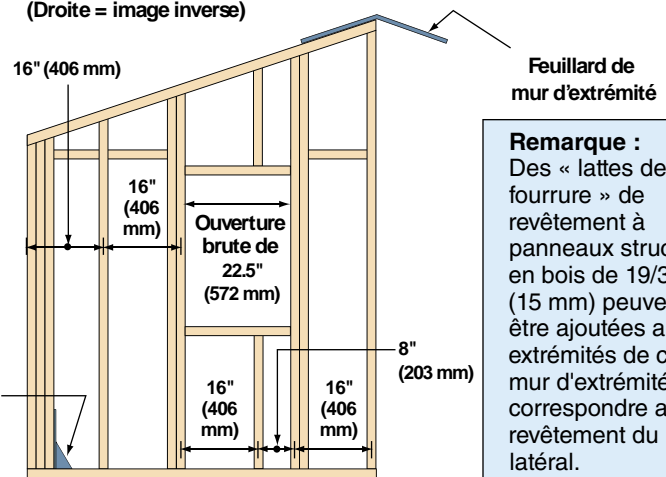


(b) Mur d'extrémité de huit pieds (2438 mm)

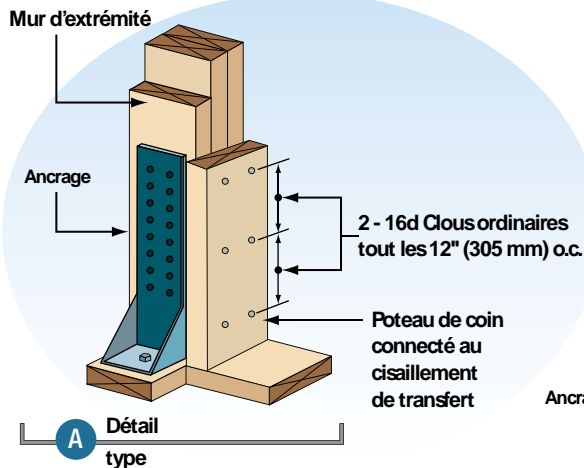


(c) Moitié gauche du mur d'extrémité de 12' (3658 mm)

(Droite = image inverse)



**Remarque :**  
Des « lattes de fourrure » de revêtement à panneaux structurels en bois de 19/32" (15 mm) peuvent être ajoutées aux extrémités de chaque mur d'extrémité pour correspondre au revêtement du mur latéral.



(d) Mur d'extrémité avec ouverture de porte

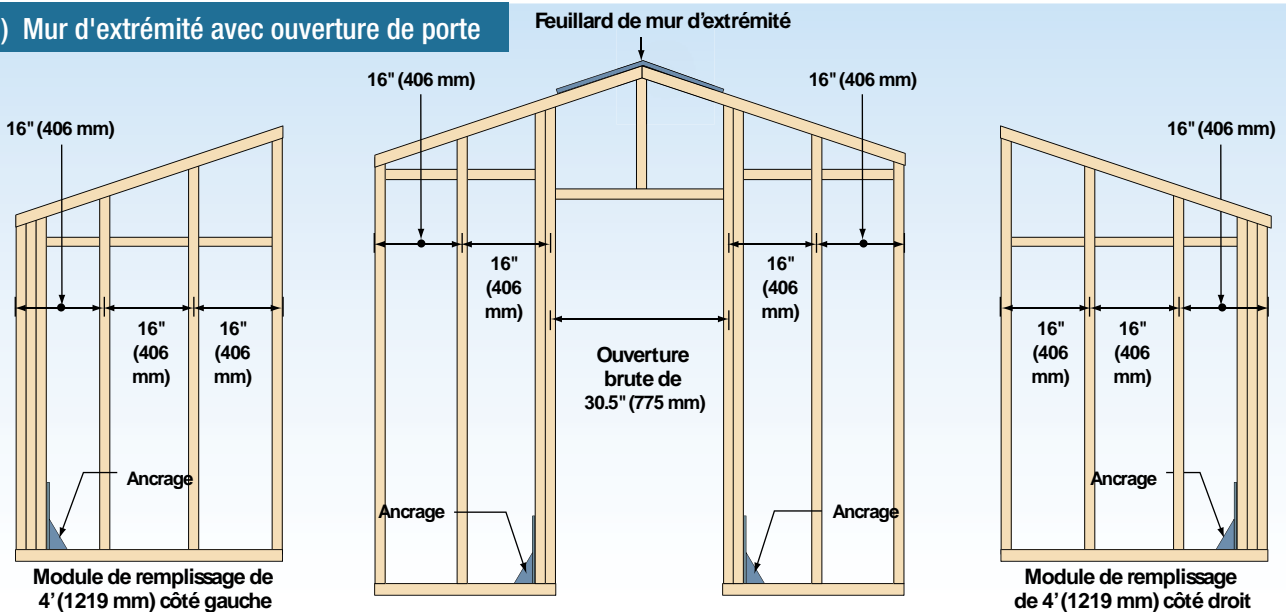


Figure 7. Modules de mur d'extrémité avec ouvertures pour les fenêtres et les portes.

ZONE DE VENT C EXPOSITION 241 Km/h  
CONCEPTION SISMIQUE CATÉGORIE D<sub>2</sub>

4

MURS

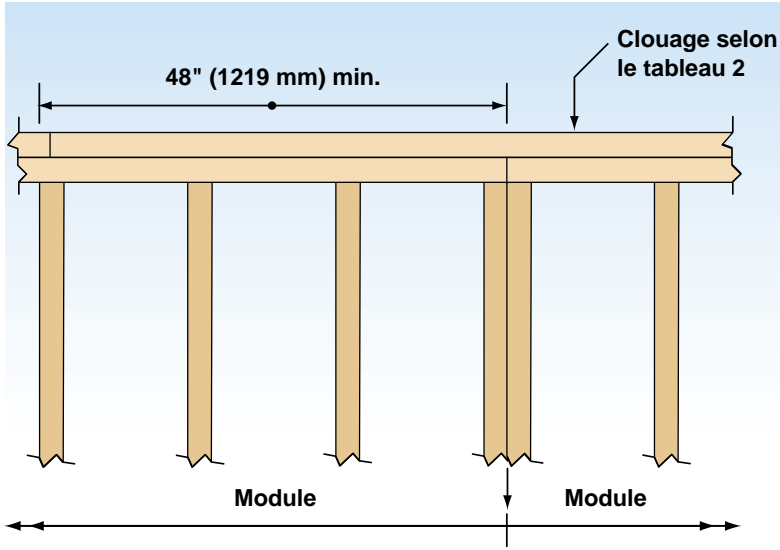


Figure 8. Sablière de mur latéral.

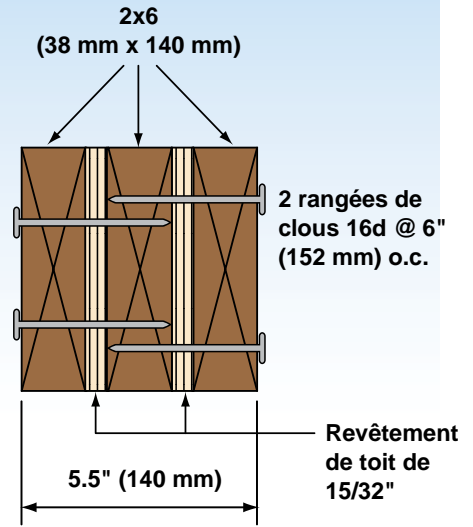


Figure 9. Chevêtre de mur latéral.

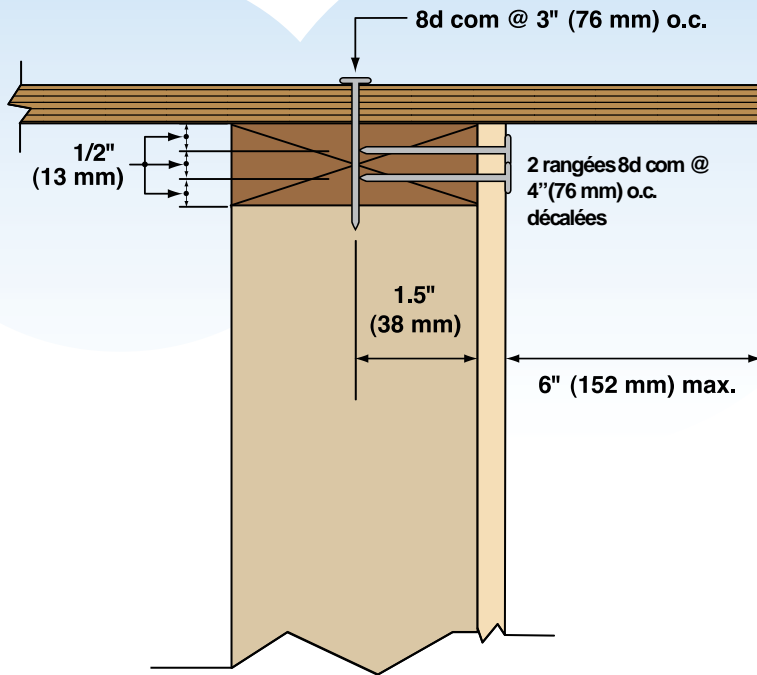


Figure 10. Surplomb de mur d'extrémité.

# 5 Toits

## 5.1 GÉNÉRALITÉS

Des informations précises sont fournies pour que l'ossature du toit résiste aux charges verticales et latérales spécifiques. L'ossature du toit n'a pas été modularisée en raison de facteurs liés au poids et à la manutention. Les finitions intérieures n'ont pas été prises en compte au niveau de la capacité de support structurel des charges. Le poids d'une finition intérieure typique, telle qu'un plafond en panneaux de gypse de 1/2" (13 mm), a été considéré dans l'analyse sismique. De même, le poids d'un toit typique en bardeaux d'asphalte a également été considéré dans l'analyse sismique.

Les murs intérieurs ne sont pas pris en compte comme soutien structurel du toit. Des murs intérieurs non porteurs peuvent être ajoutés par l'utilisateur final en fonction de ses besoins. Les matériaux des murs intérieurs, les méthodes d'ossature et les assemblages doivent être indiqués par l'utilisateur final.

## 5.2 EXIGENCES POUR LE TOIT

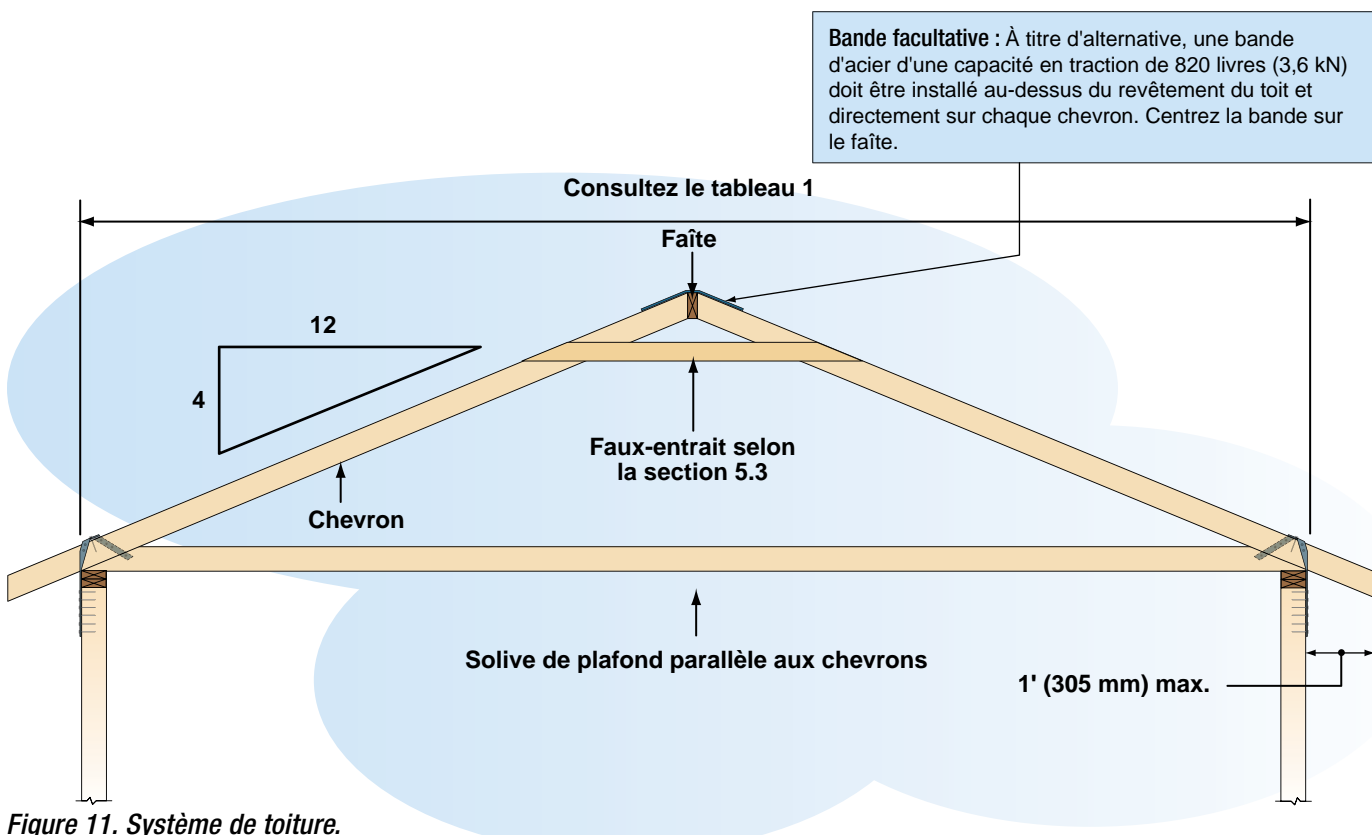
- **Pente du toit.** Les toits doivent avoir une pente de toit de 4 sur 12.
- **Bois d'ossature.** Tous les matériaux d'ossature doivent être au minimum de classe pour poteau 2x6 (38 mm x 140 mm) (cela inclut le Douglas-mélèze, le pruche-sapin, le pin du sud et l'épinette-pin-sapin) **à l'exception des bâtiments de 16' (4877 mm) de large, qui nécessitent des chevrons et solives de plafond de classe n°2 2x6 (38 mm x 140 mm).**
- **Surplombs des chevrons.** Les surplombs des chevrons ne doivent pas dépasser 1' (305 mm).
- **Surplombs des murs d'extrémité.** Les surplombs des murs d'extrémité ne doivent pas dépasser 6" (152 mm).
- **Espacement des chevrons et des solives de plafond.** Tous les chevrons et solive de plafond doivent présenter un espacement de 16" (406 mm) de centre à centre, et ils doivent être alignés directement au-dessus des poteaux des murs latéraux.
- **Continuité des solives de plafond.** Les solives de plafond doivent obligatoirement être continues entre les murs latéraux. Les assemblages intérieurs ne sont pas autorisés.
- **Revêtement du toit.** Les toits doivent être entièrement recouverts d'un revêtement à panneaux structurels en bois d'un minimum de 15/32" (12 mm) et fixé selon le tableau 2. Le revêtement doit être installé avec le fil du bois de la face perpendiculaire aux chevrons.
- **Clouage.** Le clouage typique est indiqué dans le tableau 2. Les clouages spécifiques sont indiqués dans les figures.

## 5.3 CONSTRUCTION DU TOIT

- **Planche faîtière.** Une planche faîtière 2x6 (38 mm x 140 mm) au minimum doit être installée au faîte. Les chevrons doivent être placés directement en faces les uns des autres. Des solives de plafond doivent être utilisées pour assurer un lien continu entre les murs latéraux extérieurs. Les assemblages entre les solives de plafond et les chevrons doivent se faire selon le tableau 2. Les chevrons opposés doivent être reliés à l'aide de faux-entraits comme indiqué ci-dessous.
- **Feuillard entre chevron et poteau.** Un feuillard d'acier d'une capacité en traction de 640 livres (2,8 kN) doit être fourni pour chaque chevron. Les feuillards doivent être installés par-dessus le revêtement mural et connecter le chevron au poteau situé au-dessous à l'aide des clous indiqués (consultez la figure 5d).
- **Ouvertures de toit.** Les ouvertures de toit pouvant se loger entre les chevrons du toit sont permises. La longueur maximale des ouvertures parallèles aux chevrons est de 24" (610 mm). Bloquez chaque extrémité de l'ouverture à l'aide d'un élément d'ossature 2x6 (38 mm x 140 mm) et fixez le revêtement du toit selon le tableau 2.
- **Connexion par joint de talon des chevrons/plafond.** Fixez chaque chevron adjacent aux solives de plafond comme indiqué dans le tableau 2.



- **Faux-entraits ou bandes faîtières** : Installez des faux-entraits 2x6 (38 mm x 140 mm) entre les chevrons opposés. Les faux-entraits doivent se situer directement sous la planche faîtière (tiers supérieur des combles) et être fixés à l'aide de clous ordinaires 5 – 16d à chaque chevron (consultez la figure 11). À titre d'alternative, une bande d'acier d'une capacité en traction de 820 livres (3,6 kN) doit être installée au-dessus du revêtement du toit et directement sur chaque chevron. Centrez la bande sur le faîte.
- **Contreventement du toit au mur d'extrémité**. Installez un calage 2x6 (38 mm x 140 mm) à chaque bordure de revêtement de toit perpendiculaire aux chevrons du toit dans les trois premiers espaces de chevron. Le calage doit présenter au maximum un espacement de 4' (1219 mm) de centre à centre. Les exigences en matière de clouage sont indiquées dans le tableau 2 (consultez la figure 12).
- **Plafonds (cathédrales) ouverts**. Les plafonds ouverts n'entrent pas dans le cadre de ce *guide* et, s'ils sont présents, ils doivent être conçus conformément au *MCOB*.
- **Encochage et alésage des chevrons et des solives de plafond**. Les encoches dans les rives supérieures ou inférieures des chevrons ou solives de plancher en bois de sciage ne doivent pas être coupées dans le tiers du milieu de l'élément. Les encoches dans les tiers extérieurs de l'élément ne doivent pas dépasser un sixième de la profondeur réelle du membre. Lorsque les encoches sont faites aux points d'appui des éléments de support, elles ne doivent pas dépasser un quart de la profondeur réelle du membre. Le diamètre des trous alésés est limité à un tiers de la profondeur réelle du membre, et la bordure du trou ne doit pas se situer à moins de 2" (51 mm) des rives supérieures ou inférieures (consultez la figure 4).



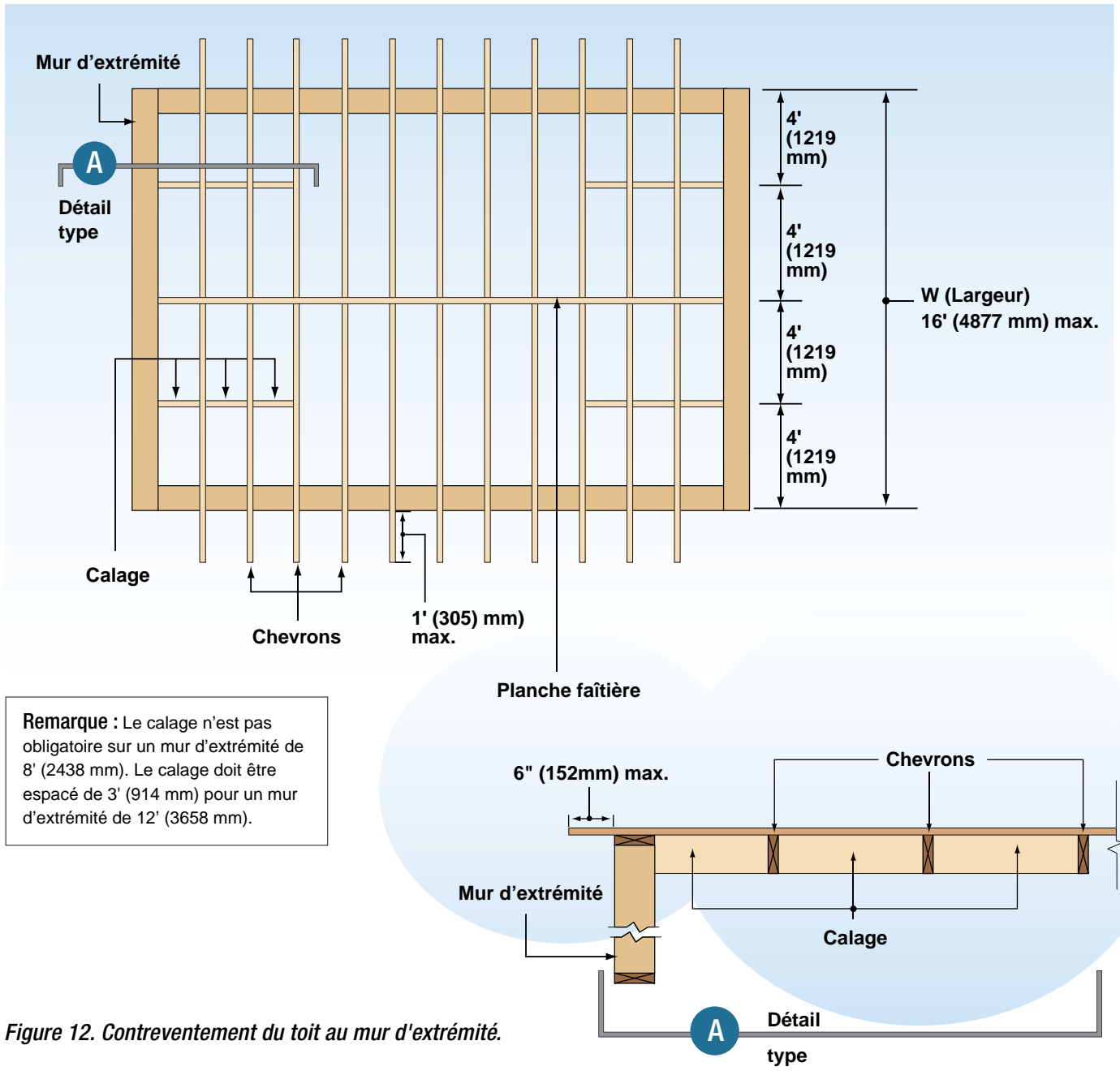


Figure 12. Contreventement du toit au mur d'extrémité.

# A Fondations dalle sur sol

## A.1 GÉNÉRALITÉS

Des fondations continues doivent être assurées pour tous les murs extérieurs. Les semelles et dalles de fondation doivent être coulées en tant qu'unité monolithique. La taille maximale des gros agrégats ne doit pas dépasser 3/4" (19 mm). La résistance à la compression minimale indiquée pour le béton,  $f'_c$ , doit être de 2 500 psi (17,2 MPa) à 28 jours.

## A.2 EXIGENCES DES FONDATIONS

- **Semelles de fondation en béton.** Les dimensions minimales pour les semelles de fondation doivent être  $T=20"$  (508 mm) et  $W=12"$  (305 mm) comme indiqué dans la figure A1. Les exigences de renforcement minimales pour les semelles de fondation extérieures pour la résistance au soulèvement doivent être deux barres n°5. La barre extérieure de renforcement de fondation doit être continue autour des coins, à l'aide de barres de coin ou de pliage des barres. Le chevauchement minimal des barres doit être de 25" (635 mm).
- **Dalles en béton.** Les planchers en béton doivent être coulés en place dalle sur sol. La partie supérieure de la dalle sur sol monolithique doit être d'au moins 8" (203 mm) au-dessus du niveau définitif du sol. L'épaisseur de la dalle ne doit pas être inférieure à 3-1/2" (89 mm). La dalle doit disposer d'un treillis métallique soudé de 6x6 W1.4/W1.4 (152x152 MW9.1/9.1) à mi-hauteur.

## A.3 BOULONS D'ANCRAGE

Les lisses basses des murs doivent être ancrées aux fondations à l'aide de boulons d'ancrage de 5/8" (16 mm) présentant un espacement de 16" (406 mm) de centre à centre ou moins à l'aide de rondelles plates métalliques de 3" x 3" x 0,229" (76 mm x 76 mm x 5,8 mm) (consultez la figure A1). Placer la rondelle en acier plate à 1/2" (13 mm) de la bordure extérieure de la lisse basse revêtue.

## A.4 ANCRAGE AUX COINS

Un connecteur d'ancrage d'une capacité de 1,685 livres (7,5 kN) est requis à chaque coin du bâtiment.

## A.5 ANCRAGE AUX OUVERTURES

Un connecteur d'ancrage d'une capacité de 1,000 livres (4,5 kN) est requis de chaque côté d'une ouverture de porte (figure 5b).

### Fondations dalle sur sol

Boulon d'ancrage et rondelle plate de 3" x 3" x 0,229" (76 mm x 76 mm x 5,8 mm). Placer la rondelle en acier plate à 1/2" (13 mm) de la bordure extérieure de la lisse basse revêtue

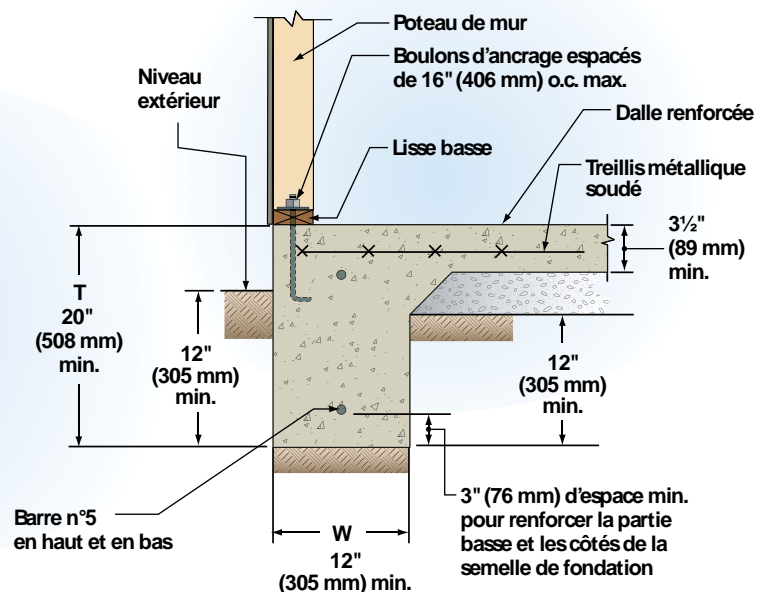
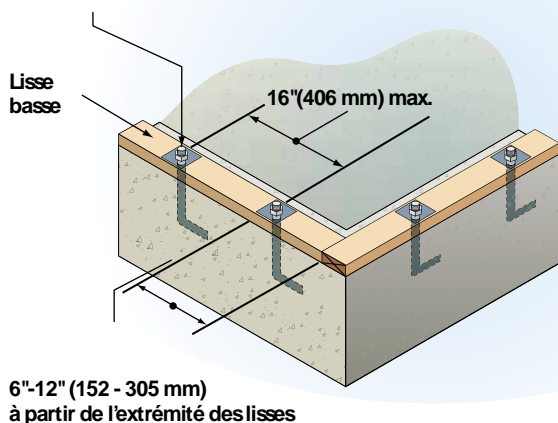


Figure A1. Exigences des boulons d'ancrage et des fondations.

# Glossaire des termes

Les définitions suivantes décrivent quelques termes utilisés dans ce *guide*.

**Allongement.** Le rapport entre la longueur du bâtiment (L) et la largeur du bâtiment (W).

**Ancrage.** Un assemblage ou un dispositif constructif servant à fournir une restriction au renversement en résistant au soulèvement des membrures (poteaux) des murs de cisaillement (modules des murs).

**Bande faîtière.** Un connecteur métallique qui attache les chevrons opposés pour résister aux charges de succion du toit au niveau du faîte (consultez aussi faux-entrait).

**Bardage.** Éléments structurels extérieurs qui reçoivent des charges normales à leur surface.

**Calage.** Membre en bois qui assure le soutien des bordures pour le revêtement.

**Cheminement des charges continues.** L'interconnexion de tous les éléments d'ossature des systèmes de résistance aux forces latérales et verticales, qui transfère les forces latérales et verticales vers les fondations.

**Chevêtre.** Une poutre utilisée sur les ouvertures murales pour porter les charges au-dessus de l'ouverture.

**Chevron.** Un membre d'ossature structurel horizontal ou incliné qui soutient les charges du toit.

**Dalle sur sol.** La dalle en béton qui sert de plancher pour le rez-de-chaussée, sur laquelle les murs en ossature du rez-de-chaussée sont fixés.

**Étage.** La partie d'une structure incluse entre la surface supérieure d'un plancher et la surface inférieure du toit suivant au-dessus.

## Exposition au vent

**Exposition B.** Zones urbaines et suburbaines, zones boisées, ou autre terrains présentant de nombreuses obstructions serrées de la taille des logements unifamiliaux ou plus grands.

**Exposition C.** Terrain ouvert présentant des obstructions éparpillées, dont des ondulations de surface ou autres irrégularités dont la hauteur est généralement inférieure à 30 pieds (9,1 m) et s'étendant sur plus de 1500 pieds (457 m) à partir du site du bâtiment dans tout quadrant complet. L'exposition C s'étend dans le type de terrain d'exposition B dans la direction du vent sur une distance de 1500 pieds (457 m) ou 10 fois la hauteur du bâtiment ou de la structure, selon celle qui est la plus élevée. Cette catégorie comprend les terrains dégagés et les pâturages, ainsi que l'exposition en eau libre inférieure à 1 mille (1,6 km). On part du principe qu'il existe une exposition C, sauf si le site correspond à la définition d'un autre type d'exposition.

**Faîte.** La ligne horizontale formée en reliant les arêtes supérieures des deux surfaces de toit inclinées.

**Faux-entrait.** Un membre d'ossature structurel situé dans le tiers supérieur des combles et qui relie les chevrons pour résister aux charges de succion sur le faîte (consultez aussi bande faîtière).

**Lisse basse.** Un membre horizontal en bois fixé à la partie inférieure d'un mur en ossature et attaché à la dalle en béton.

**Lisse de fenêtre.** Un membre d'ossature horizontal sous une ouverture (consultez les figures 4 et 6).

**Mur d'extrémité.** Le mur d'extrémité d'un bâtiment perpendiculaire au faîte et parallèle aux chevrons ou fermes du toit.

**Mur porteur.** Un mur soutenant les charges verticales en plus de son propre poids.

**Pignon.** La partie triangulaire du mur d'extrémité sous deux pentes de toit incliné.

**Planche faitière.** Un membre non structural utilisé au faîte pour fournir une surface de clouage commune et un point d'appui pour les chevrons de toit opposés.

**Plaques directement au-dessus ou au-dessous des ouvertures.** Un membre d'ossature horizontal au-dessus ou au-dessous d'une ouverture. Les plaques sous les ouvertures de fenêtre sont également appelées des lisses de fenêtre.

**Portée du toit.** La distance entre l'extérieur des murs extérieurs soutenant l'assemblage du toit/plafond.

**Poteau.** Élément structural vertical des assemblages de mur qui transfère les charges verticales et/ou latérales.

**Revêtement.** La couverture structurelle utilisée directement par-dessus les membres de l'ossature, tels que les poteaux ou les chevrons, qui transfère les charges perpendiculaires aux matériaux de l'ossature.

**Sablère.** Un membre en bois horizontal fixé à la partie supérieure d'un mur d'ossature et qui soutient les fermes, les solives en I, les chevrons, les solives de plafond ou d'autres membres.

**Solive de plafond.** Un membre d'ossature structural horizontal qui soutient les charges du plafond et/ou des combles.

**Solive de plancher.** Un membre d'ossature structural horizontal qui soutient les charges du plancher.

**Surplomb de mur d'extrémité.** La projection horizontale du toit mesurée à partir de la face extérieure du mur pignon jusqu'à la bordure extérieure du revêtement du toit.

**Surplomb des chevrons (avant-toit).** La projection horizontale d'un chevron mesurée à partir de la face extérieure du mur jusqu'à la bordure extérieure du chevron.

**Toit incliné.** Un toit avec une ou plusieurs surfaces en pente.

This page left blank intentionally.  
Esta pagina se dejo en blanco intencionalmente.  
Page laissee en blanc intentionnellement.

This page left blank intentionally.  
Esta pagina se dejo en blanco intencionalmente.  
Page laissee en blanc intentionnellement.

# American Wood Council

## **AWC Mission Statement**

*To increase the use of wood by assuring the broad regulatory acceptance of wood products, developing design tools and guidelines for wood construction, and influencing the development of public policies affecting the use and manufacture of wood products.*

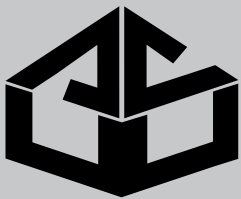
## **AWC Declaración de la Misión**

*Para aumentar el uso de la madera por asegurando la amplia reglamentación la aceptación de los productos de madera, el desarrollo de herramientas de diseño y las directrices para la construcción de madera, y que influyen en el desarrollo de públicos las políticas que afectan el uso y fabricación de productos de madera.*

## **AWC Déclaration de Mission**

*Pour augmenter l'utilisation du bois en veillant à la réglementaire large l'acceptation des produits du bois, le développement d'outils de conception et des lignes directrices pour la construction bois, et en influençant le développement des publics politiques touchant l'utilisation et la fabrication de produits du bois.*





**AMERICAN  
WOOD  
COUNCIL**

**[www.awc.org](http://www.awc.org)  
[info@awc.org](mailto:info@awc.org)**